

DC Power Solutions - North America

February 2010



Powering Business Worldwide

Contents

Eaton® Telecommunications Power Solutions - Capabilities Overview

Product Selection Chart

DC Power Solutions

- Enterprise 3G Power Solutions - EPS2-3G
- Enterprise 3G Power Solutions - EPS5-3G
- Enterprise Extended Battery Module
- Access 3G Power Solutions - APS3-400 (48V)
- Access Power Solutions – APS3 and APS6
- DV2 Access Power Solutions with Batteries - DV2-A12B-130
- DV2 Access Power Solutions with Batteries - DV2-A24B-130
- DV2-3G North American Core Power Solutions

Customer Premises Equipment

- MPS12-30 Micro Power Solution

Inverter Power Solutions

- Matrix™ Modular Inverter
- Matrix™ 2000 Standalone Inverter

Software and Communications

- DCTools™ Configuration Software

Rectifier Modules

- Enterprise 3G Power Rectifier - EPR48-3G
- Access 3G Power Rectifier (48V) - APR48-3G
- Access Power Energy Saver Rectifier – APR48-ES
- Access Power Rectifier (24V) – APR24
- Access Power Rectifier (48V) - APR48
- Core 3G Power Rectifier (48V) - CR48-3G

Control and Monitoring

- SC200 System Controller
- SC100 System Controller
- SM45 Supervisory Module
- SM65 Supervisory Module – Panel Mounted
- SiteSure™ Management Solution
- SiteSure-3G Management Solution

Rack Magazines

- Rack Magazine (19") - RM3-300
- Rack Magazine (19") - RM3-400
- Rack Magazine (23") - RM4-400

Distributions

- DCD1M – 1U DC Distribution (19")
- DCM2000 – Distributions with Plug-in MCBs
- DCB1000 – Distributions with High Current Breakers
- DCF0208/0408 – Distributions with Din Fuse

Contact Information:

DC Technical Support:

DCPowerTS@eaton.com

Ph 800-843-9433 (opt. 2 : opt. 6)

General email inquiry:

dc.info@eaton.com

Internet:

www.eaton.com/dcpower



Powering Business Worldwide

Eaton's Telecommunications Power Solutions Business



Our Business

Eaton Corporation is a global diversified industrial manufacturer and a leader in electrical power quality, distribution and control. Eaton serves the needs of customers located in over 125 countries.

Eaton's telecommunications power solutions business provides telecommunications and related sectors with world-leading infrastructure products and services.

Global Presence

Headquarters are located in Raleigh, North Carolina and regional sales headquarters are located in USA, Asia and Europe with offices in over 30 additional countries and with representation in over 100 countries it is one of the few telecommunications infrastructure providers with a truly global presence.

Environmental Standards

Eaton strives for the highest environmental standards across both our operations and products and our commitment goes beyond compliance with existing regulations. We wish to become recognized as an industry leader in creating safe workplaces and conserving world resources.

Eaton is committed to environmental stewardship and participates in a number of volunteer government partnership programs worldwide.

We were among the first diversified industrial companies to pursue global ISO 14001 certification - a rigorous standard for managing and improving environmental performance. Today, virtually all of Eaton's facilities worldwide have earned this designation.

We've also set tough performance goals for ourselves, like reducing our greenhouse gas emissions by 18 percent (adjusted for production) by 2012.

Unsurpassed Experience

Eaton has in excess of 40 years experience of working closely with customers to deliver tailored power management solutions for communications networks around the world.

Customer led Solutions

Eaton's insight into customer needs is demonstrated through its products in terms of reliability, efficiency, smart energy features, power density, and ease of installation,

Intelligent monitoring and control capabilities add flexibility, precision, reliability, and automation - without added complexity.

Comprehensive Range

Our telecom power solution range includes AC and DC power systems, power and ancillary equipment management software, cabinets and enclosures, and other products. Eaton also offers a wide range of DC services including design, installation and commissioning remote monitoring, turnkey integration and site support, to provide a seamless solution.

Delivery

Eaton's global scale manufacturing and logistic capability means that products and services can be delivered with maximum cost-effectiveness and with the delivery speed and flexibility that you expect.



Powering Business Worldwide

Eaton's Telecommunications Power Solutions Business

Services Capability

Eaton's offers a wide range of DC secure power services including power quality evaluation, sizing, design consultancy, installation and commissioning, full project management and turnkey integration, anywhere in the world. Our individually tailored service contract plans can provide ongoing service maintenance, training, after-sales service, and repairs, Eaton's global presence ensures quick response times for all of our customers.

Design Services

Skilled engineering staff can provide a full design service for DC power systems to specifically suit individual applications and sites.

World-Wide On-Site Services

Eaton's fully trained customer service engineers can carry out all installation tasks or supervise and assist local staff.

Integration Services

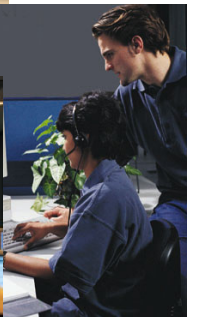
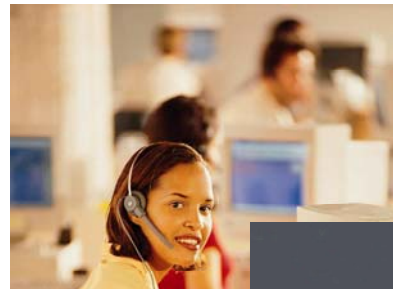
Our telecommunications integration services provide complete install, testing and integration services for any type of communications or other electronic equipment, to world leading standards of quality.

Typical projects Eaton has completed include the integration of network access equipment into roadside cabinets and the on-site installation and commissioning of telecoms equipment.

Eaton is now applying this expertise to the provision of integration services for original equipment manufacturers and network operators.

Power Monitoring

Eaton can provide 24 x 7 DC power system and battery monitoring, and provide remote diagnostics to maximize responsiveness and uptime, Monthly performance reports and trend analysis assist optimum system performance.



Powering Business Worldwide

Eaton's Telecommunications Power Solutions Business

After-Sales Service and Repairs

Eaton DC Regional Repair Sites, staffed by fully trained technicians, are strategically located around the world to provide rapid turnaround times. Individually tailored service contracts are also available so customers can choose the ongoing service package that best suits their requirements.

Options include extended warranty periods, unlimited out-of-warranty repairs, immediate replacement, on-site maintenance, and battery testing and conditioning. Special terms and conditions apply to some DC services.

Training

Eaton offers a comprehensive range of training courses designed to provide the right level of product knowledge with practical demonstrations and hands-on opportunities. Courses can be arranged at an Eaton location or at a customer's site.



Powering Business Worldwide

Application and Product Selection Guide for Eaton DC Power Solutions

| | | Eaton DC Power Solutions | | | |
|------------------------------------|---------------------------------|----------------------------|-------------------------------------|------------------------------------|-----------------------------------|
| | | Enterprise Power Solutions | Access Power Solutions ¹ | Metro Power Solutions ² | Core Power Solutions ³ |
| | | | 1-744A, 24V or 48V | Up to 1500A, 24V or 48V | Up to 15,360A, 48V |
| Customer Premises Equipment | PBX/VoIP | ✓ | ✓ | | |
| | Wireless Access | ✓ | ✓ | | |
| Wireless | Mini/metro sites | | ✓ | | |
| | Base transceiver stations (BTS) | | ✓ | ✓ | |
| | Base station controllers (BSC) | | ✓ | ✓ | |
| | Main switches | | | ✓ | ✓ |
| Wireline | Fiber transmission systems | ✓ | ✓ | ✓ | ✓ |
| | Digital microwave radio | | ✓ | ✓ | |
| | Broadband voice data services | ✓ | ✓ | ✓ | |
| | Satellite earth stations | | | ✓ | ✓ |

1. Including DV2 (Data-Voice-Video) Power Solutions with APR rectifier modules.
2. Including DV2 (Data-Voice-Video) Power Solutions with NPR rectifier modules.
3. Systems with higher output are also available



3G Enterprise Power Solutions - EPS2 Series



The **Eaton® 3G Enterprise Power Solutions** are the ideal solution for converged data networks and low power tele-communications applications requiring compact, efficient and flexible DC power supplies.

This EPS2 series is a 19" rack mounted system and is available with up to two of the Eaton 3G Enterprise or Access 48V rectifier modules providing a total output of up to 4000W.

The versatile SC200 system controller features a front access USB port for ease of system setup along with a RS232 rear port and a 10BaseT Ethernet port for remote networking and communications.

Communication features of the SC200 system controller include TCP/IP, SNMP and an onboard web server allowing access with standard web browsers. The SC200 also supports GSM cellular (including text messaging) and standard PSTN modems.

The Enterprise systems include an integral DC distribution panel with easy to fit push-in circuit breakers and low voltage disconnect contactor to prevent over discharging of the optional backup batteries.

Typical applications include providing secure power for customer premises equipment, roadside cabinets, converged VoIP/data networks, PoE, IP routers and small PABX's.



Features

- 19" rack mounting
- High power density
- Intelligent system controls
- Pre-configured software
- Onboard secure web server
- Push-in easy to fit circuit breakers
- Low voltage disconnect
- Fast on-line expansion of rectifiers (hot-swap)
- High efficiency and unity power factor
- Easy to use menu & full color display
- Optional batteries
- Compatible with Eaton's Energy Saver (ES) rectifier



Powering Business Worldwide

Technical Specification

Input

| | |
|----------------|----------------------------------------------------|
| AC Supply | Nominal: 120V, 240V Operating Range: 90V – 275V |
| Power Factor † | >0.99 (50 – 100% Output Current) |
| Efficiency † | >96% peak >95% (20% to 100% load, 230Vac) |

Output

| | |
|------------------------------|----------------------------------------------------------------------------------------------------------------------------------|
| DC Output Voltage Range | 43 – 57.5V |
| DC Output Power (maximum*) † | 240V AC: APR48-ES: 4.0kW APR48-3G: 3.6kW EPR48-3G: 1.8kW 120V AC: APR48-ES: 2.3kW APR48-3G: 2.2kW EPR48-3G: 1.1kW |
| | * Based on two rectifiers fitted, refer to rectifier data sheets. |

Environmental

| | |
|-----------------------------|----------------------------------------------------------------------------------------|
| Operating Temperature Range | Rated: -10°C to +50°C [-14°F to +122°F] Extended*: -40°C to +70°C [-40°F to +158°F] |
| | *Output current is derated above 50°C [122°F] |

Mechanical

| | |
|------------------|-------------------------------------------------------------|
| Dimensions H,W,D | 2U , 19" mounting, 13.2" [335mm]* |
| | * Additional clear depth space is required for exhaust air. |

System

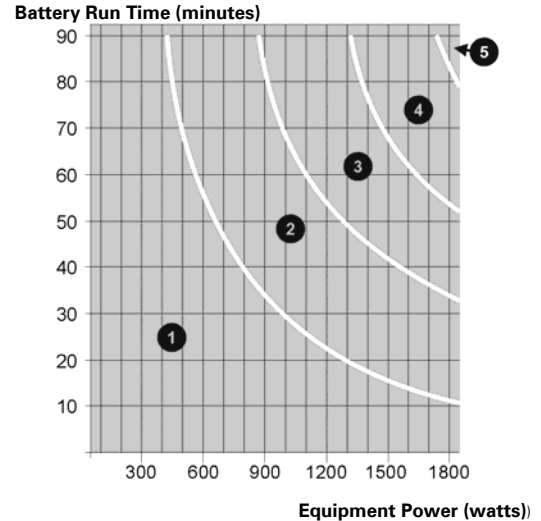
| | |
|------------------------|--------------------------------------------------------------------------------------------------------------------------------------------------------------------------------------------------------------------------------------------------------------------------------------------------------------------------------|
| System Controller | SC200 |
| DC Distribution Module | 12-way circuit breakers (2 x Battery, 10 x Load) Circuit breaker type: Magnetic/Hydraulic, push fit Battery circuit breakers: Heinemann AC1R Series Typical ranges available: 30A, 40A, 50A, 60A, 70A Load circuit Breakers: Heinemann JC1S Series Typical ranges available: 6A,10A, 15A, 20A, 25A, 30A |
| Communication Features | USB direct 10BaseT Ethernet, TCP/IP, SNMP, Modbus-TCP, Modbus-RTU and on board web server RS232 to external PSTN or GSM modem (modem not included) |
| Rectifier Blank Panels | For unused rectifier positions |
| Software | |
| DCTools | Configuration software. Free download from: www.powerware.com/downloads |
| Power Xpert | Remote control and monitoring software |

† Power factor, efficiency and DC output power are dependant on rectifier model fitted. Refer to the rectifier data sheet for further details.

Options

| | |
|----------|----------------------------------------------------------------------------------------------------------------------------------------------------------------------------------------------------------------------------------|
| Battery* | Eaton Extended Battery Module (EBM) PW5130 48V EBM RM P/N 103006587-6591 Weight: 29.5kg [65lb] Dimensions (H,W,D*): 85mm (2U), 432mm (19" mounting), 487mm * Additional space is required at the rear for cables. |
|----------|----------------------------------------------------------------------------------------------------------------------------------------------------------------------------------------------------------------------------------|

Typical Run time values* (see graph).



* Battery times are approximate and vary depending on factors such as: - load configuration
- battery charge
- battery age and temperature.

* Other battery options available - consult your local Eaton agent.

| | |
|-----------------------|------------------------------------------------------------------------------------------------------------------------|
| Battery Cables | CKBATT-02 Eaton EBM 5130 connection cable, 2000mm long or CKBATT-01 'other batteries' connection cable, 2000mm long |
| Equipment Cable | Customer Equipment Connection Cable CKLOAD-00 10-way connection loom, 1000mm long |
| EBM Rack Mounting Kit | Included with EBM5130 as standard |

Certifications

All products comply with International Standards.

| | |
|---------------------------|-------------------------------|
| North America | UL (Canada, USA), FCC Class B |
| Europe | CE |
| Australia and New Zealand | C-Tick |

In the interests of continual product improvement all specifications are subject to change without notice.



Eaton, CellSure, SiteSure, DCTools and Power Xpert are trade names, trademarks, and/or service marks of Eaton Corporation or its subsidiaries and affiliates. All other trademarks are property of their respective owners.

© 2009 Eaton Corporation
All Rights Reserved
EPS2_E

3G Enterprise Power Solutions - EPS5 Series



The **Eaton® 3G Enterprise Power Solutions** are the ideal solution for converged data networks and low power tele-communications applications requiring compact, efficient and flexible DC power supplies.

The EPS5 series is a 19" rack mounted system and is available with up to five of the Eaton 48V 3G Enterprise power rectifier modules, providing a total output of up to 4500W. The modular design of the system allows users to simply add additional rectifiers and batteries as required to meet future growth of their network power demand, thus, better protecting the initial power system investment.

The versatile SC200 system controller features a front access USB port for ease of system setup along with a

RS232 rear port and a 10BaseT Ethernet port for remote networking and communications.

Communication features of the SC200 system controller include TCP/IP, SNMP and an onboard web server allowing access with standard web browsers.

The Enterprise systems include an integral DC distribution panel with easy to fit push-in circuit breakers and low voltage disconnect contactor to prevent over discharging of the optional backup batteries.

Typical applications include providing secure power for customer premises equipment, roadside cabinets, converged VoIP/data networks, PoE, IP routers and small PABX's.

Features

- 19" rack mounting
- High power density
- Intelligent system controls
- Pre-configured software
- Onboard secure web server
- Push-in easy to fit circuit breakers
- Low voltage disconnect
- Fast on-line expansion of rectifiers (hot-swap)
- High efficiency and unity power factor
- Easy to use menu & full color display
- Optional batteries



Powering Business Worldwide

Technical Specification

Input

| | |
|----------------|----------------------------------------------------|
| AC Supply | Nominal: 120V, 240V Operating range: 90V – 275V |
| Power Factor † | >0.99 (50 – 100% output current) |
| Efficiency † | 91% (50 – 100% output current) |

Output

| | | |
|-----------------------------------------------------------------------------|------------|--------|
| DC Output | 43 – 57.5V | |
| Voltage Range | | |
| DC Output | 240V AC: | 4.5kW |
| Power | 120V AC: | 2.25kW |
| (maximum*) † | | |
| * Based on five rectifiers fitted, refer to EPR48-3G rectifier data sheets. | | |

Environmental

| | |
|-----------------------------------------------|----------------------------------------------------------------------------------------|
| Operating Temperature Range | Rated: -10°C to +50°C [-14°F to +122°F] Extended*: -40°C to +70°C [-40°F to +158°F] |
| *Output current is derated above 50°C [122°F] | |

Mechanical

| | |
|-------------------------------------------------------------|----------------------------------|
| Dimensions H,W,D | 3U, 19" mounting, 13.2" [335mm]* |
| * Additional clear depth space is required for exhaust air. | |

System

| | |
|------------------------|---------------------------------------------------------------------------------------------------------------------------------------------------------------------------------------------------------------------------------------------------------------------------------------------------------------------------------|
| System | SC200 |
| Controller | |
| DC Distribution Module | 12-way circuit breakers (2 x battery, 10 x load) Circuit breaker type: magnetic/hydraulic, push fit Battery circuit breakers: Heinemann AC1R Series Typical ranges available: 30A, 40A, 50A, 60A, 70A Load circuit breakers: Heinemann JC1S Series Typical ranges available: 6A, 10A, 15A, 20A, 25A, 30A |
| Communication Features | USB direct 10BaseT Ethernet, TCP/IP, SNMP, Modbus-TCP, Modbus-RTU and on board web server RS232 to external PSTN or GSM modem (modem not included) |
| Rectifier Blank Panels | For unused rectifier positions |

Software

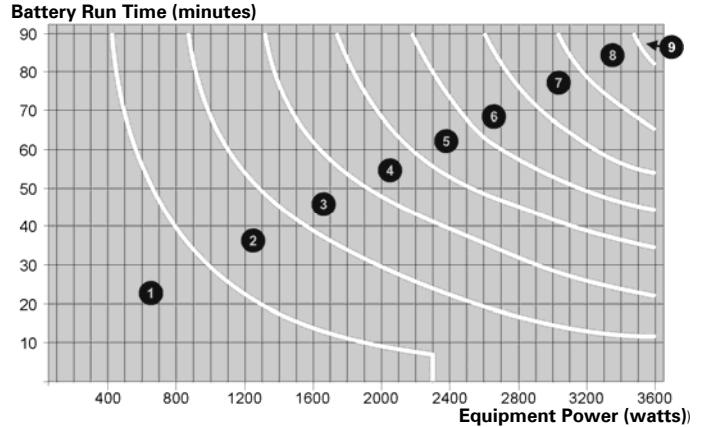
| | |
|-------------|--------------------------------------------------------------------------------------------------------------------------------|
| DCTools | Configuration software. Free download from: www.powerware.com/downloads |
| Power Xpert | Remote control and monitoring software |

† Power factor, efficiency and DC output power are dependant on rectifier model fitted. Refer to the rectifier data sheet for further details.

Options

| | |
|----------|---------------------------------------------------------------------------------------------------------------------------------------------------------------------------------------------------------------------------------|
| Battery* | Eaton Extended Battery Module (EBM) PW5130 48V EBM RM P/N 103006587-6591 Weight: 29.5kg [65lb] Dimensions (H,W,D*): 85mm (2U), 432mm (19" mounting), 487mm *Additional space is required at the rear for cables. |
|----------|---------------------------------------------------------------------------------------------------------------------------------------------------------------------------------------------------------------------------------|

Typical run time values* (see graph).



● = Required number of battery modules.

* Battery times are approximate and vary depending on factors such as:
- load configuration
- battery charge
- battery age and temperature.

* Other battery options available - consult your local Eaton agent.

| | |
|-----------------------|--------------------------------------------------------------------------------------------------------------------------|
| Battery Cables | CKBATT-02 Eaton EBM 5130 connection cable, 2000mm long. or CKBATT-01 'other batteries' connection cable, 2000mm long. |
| Equipment Cable | Customer equipment connection cable CKLOAD-00 10-way connection loom, 1000mm long |
| EBM Rack Mounting Kit | Included with EBM5130 as standard |

Certifications

All products comply with international standards.

| | |
|---------------------------|-------------------------------|
| North America | UL (Canada, USA), FCC Class B |
| Europe | CE |
| Australia and New Zealand | C-Tick |

In the interests of continual product improvement all specifications are subject to change without notice.



Eaton, CellSure, SiteSure, DCTools and Power Xpert are trade names, trademarks, and/or service marks of Eaton Corporation or its subsidiaries and affiliates. All other trademarks are property of their respective owners.

Enterprise Battery Module



The **Eaton® 3G Enterprise Extended Battery Module (EBM)** is designed as an optional integrated backup power source to the 3G Enterprise Power Systems, providing secure power during AC grid failure for anything from orderly shutdowns through to extended runtimes for continuity of service.

Multiple battery modules can be connected together to achieve increased backup capacity for a given output demand.

This module is slim and rack mountable to suit the likely applications for these systems such as server room racks.

The battery modules use simple 'plug and play' cables for connecting the Enterprise Power Solution. No specialized tools are required, thus making installation very easy in an IT environment.

The scalability of the EBM ensures that your investment is protected into the future as the demands of your network increase. Simply add more EBM modules as your network grows.

EBM has an 18Ahr capacity and is service maintenance free for the life of the battery module. Battery function is monitored and controlled by the power system controller for complete battery protection.

Features

- Easy to install
- Slimline 19" rack mounting
- Extended runtime -18Ahr capacity
- Modular and scalable
- Service maintenance free VLRA batteries



Powering Business Worldwide

Technical Specification

Output

| | |
|--------------------|-------------------------------------------------------|
| DC Output Voltage | 48V nominal |
| DC Output Capacity | 18Ahr |
| | Maximum input/output current should not exceed 55Amps |

Mechanical

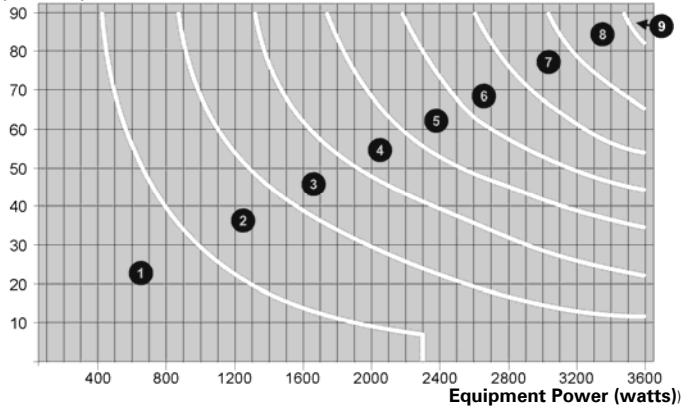
| | |
|------------------|-----------------------------------------|
| Weight | 29.5kg |
| Dimensions H,W,D | 85mm (2U), 432mm (19" mounting), 487mm* |

* Additional space is required at the rear for cables.

Battery

Typical Run Time Values*

Battery Run Time (minutes)



● = Required number of battery modules.

*Battery times are approximate and vary depending

on factors such as:

- load configuration
- battery charge
- battery age and temperature.

| | |
|--------------|--------------------------------------------------------------------------------|
| Order Number | Eaton Extended Battery Module (EBM) PW5130 48V EBM RM P/N 103006587-6591 |
|--------------|--------------------------------------------------------------------------------|

Certifications

All products comply with international standards. Contact your local Eaton DC representative for details on the specific product versions available with these safety and EMC approvals:

| | |
|---------------|-----------|
| North America | UL listed |
| Europe | CE |

In the interests of continual product improvement all specifications are subject to change without notice.



3G Access Power Solutions - APS3-400 Series



Features

- Compact and scalable 19" sub-rack solution
- High power density (5.4kW @ 48V/3U, 19")
- Easy plug-and-go rectifier set-up
- Fast on-line rectifier expansion (hot-plug)
- High efficiency and unity power factor
- Single AC input or individual rectifier feeds
- Intelligent system management features
- Remote access (TCP/IP, web browser, SNMP)
- Pre-configured software for quick & simple deployment
- Onboard energy management software optimizes operating efficiency for lower OPEX



EAT•N

Powering Business Worldwide

The **Eaton® 3G Access Power Solutions** are ideal for low to medium power telecommunications applications requiring compact, efficient and flexible DC power supplies with or without batteries.

This Eaton 3G Access Power Solution 400 series has UL and FCC standards certifications. A technician friendly user-interface includes a full color menu screen and is preconfigured for fast install and easy commissioning. All system settings are fully adjustable in software and stored in transferable configuration files for repeatable one-step system set-up.

With up to 6kW of power output, it features state-of-the-art 48V 3G or Energy Saver (ES) Access Power Rectifiers for superior operating efficiency (>96%). The DC distribution panel, simple to use hydraulic magnetic circuit breakers, and optional low voltage disconnect (LVD) modules are fully integrated.

The advanced SC200 system controller offers high-level communications capability for real time information. It also has built-in intelligence for optimizing system efficiency, and comprehensive alarm and system status notifications, which are all designed to minimize operational expenses.

A comprehensive range of other controller features ensures maximum battery life and optimum system performance under a wide range of environmental conditions.

The 19" rack mount system is ideal for rapid deployment into customer facilities or enclosures.

Typical applications include standby power for customer premises equipment, outdoor power plants, data networks and IP routers.

Technical Specification

Input

| | | |
|------------|------------------|----------------|
| AC Supply† | Nominal: | 120V, 208-240V |
| | Operating Range: | 90V – 275V* |

* Output power derates below 175V AC.

| | |
|---------------|----------------------------------|
| Power Factor† | >0.99 (50 – 100% Output Current) |
|---------------|----------------------------------|

| | |
|-------------|----------------------------------------------------------|
| Efficiency† | APR48-3G : 92% (50 – 100% Output Current) |
| | APR48-ES : >96% peak, >95% (20% to 100% load, 230Vac) |

| | |
|---------------------------|-----------------------------------|
| Total Harmonic Distortion | <5% THD from 50% to 100% at load. |
|---------------------------|-----------------------------------|

Output

| | |
|-------------------------|------------|
| DC Output Voltage Range | 43 – 57.5V |
|-------------------------|------------|

| | |
|----------------------------|-------------------------------------------------------------|
| DC Output Power (maximum)† | APR48-3G : 120V AC: 3.3kW @ 48V 208-240V AC: 5.4kW @ 48V |
| | APR48-ES : 120V AC: 3.45kW @ 48V 208-240V AC: 6kW @ 48V |

Environmental

| | |
|-------------------|------------------------------------------|
| Temperature Range | Rated: -10°C – +50°C [14°F – +122°F] |
| | Extended: -40°C – +65°C [-40°F – 149°F]* |

* Output current is derated above 50°C [122°F]

Mechanical

| | |
|------------------|----------------------------------------------------------|
| Dimensions H,W,D | 3U [5.25", 133mm], 19" [483mm] mounting, 14" [356mm]* |
|------------------|----------------------------------------------------------|

* Additional clear space is required for exhaust air.
Rear access is required for cable terminations.

System

| | |
|-------------------|---------------------------------------|
| System Controller | SC200 as standard. SC100 optional. |
|-------------------|---------------------------------------|

| | |
|------------------------|--------------------------------------------------------------------------------------------------------------------------------------------------------------------------------------------------------------------|
| DC Distribution Module | 10-way circuit breakers (2 x Battery, 8 x Load). Load circuit breakers: Heinemann AMIR Series 5A, 10A, 20A, 30A, 40A, 50A, 70A, 80A, 100A. Battery circuit breakers: Heinemann AMIR 100A or AMIP 120A. |
|------------------------|--------------------------------------------------------------------------------------------------------------------------------------------------------------------------------------------------------------------|

| | |
|------------------------|--------------------------------------------------------------------------------------------------------------------------------------------------------------------------------------|
| Communication Features | USB direct* 10BaseT Ethernet*, TCP/IP*, SNMP*, Modbus-TCP*, Modbus-RTU* and on board web server* RS232 to external PSTN or GSM modem (modem not included) *SC200 only |
|------------------------|--------------------------------------------------------------------------------------------------------------------------------------------------------------------------------------|

| | |
|------------------------------|------------------------------------|
| Low Voltage Disconnect (LVD) | Battery disconnect: 200A internal. |
|------------------------------|------------------------------------|

| | |
|------------------------|---------------------------------|
| Rectifier Blank Panels | For unused rectifier positions. |
|------------------------|---------------------------------|

| | |
|---------|--------------------------|
| Options | Relay Rack Batteries. |
|---------|--------------------------|

† Power factor, efficiency, AC voltage range and output power is dependant on rectifier module fitted. Refer to the rectifier data sheet for more information.

Software

| | |
|-------------|--------------------------------------------------------------------------------------------------------------------------------|
| DCTools | Configuration software. Free download from: www.powerware.com/downloads |
| Power Xpert | Remote control and monitoring software |

Certifications

All products comply with International Standards including UL (US and Canada) and FCC (Class B) Verification.

In the interests of continual product improvement all specifications are subject to change without notice.



Access Power Solutions



Features

- High reliability fan cooling
- 19" sub-rack
- Modular 3U/6U and expandable option
- Up to 24 rectifier modules
- Pre-configured software
- High power density (186A/3U, 19")
- Multiple AC option (1Ø, 3Ø, 2Ø)
- Fast on-line replacement of rectifiers (hot-swap)
- High efficiency and unity power factor
- AB feeds option for DC distribution
- Scalable system solution

Eaton Access Power Solutions are the ideal solution for low to medium power telecommunications applications requiring compact, efficient and flexible DC power supplies.

These 19" rack mount systems are available with 3, 6, 12, 18, or 24 of the Eaton Access Power series of 24V and 48V rectifier modules with output up to 744A.

The systems also include an integral DC distribution panel and the versatile SM40 or SM45 series of supervisory modules with Ethernet, GSM cellular (including text messaging), standard modem and TCP/IP communications options.

Other features include temperature compensated voltage output for better battery life, a range of circuit breaker configurations and optional low voltage disconnect (LVD) modules.

Typical applications are providing standby power for customer remises equipment, roadside terminals, data networks and IP routers.

The Access Power Solutions are pre-configured for fast installation and set-up. All system settings are fully adjustable in software and stored in transferable, configuration files for repeatable one step system set-up.



Powering Business Worldwide

Technical Specification

Brief Technical Specifications

| | |
|-----------------------------|---------------------------------------------------------------------------------------------------------------------------------------------------------------------------------------------------------------------------------------------------------------------------------------------------------------------------------------------------------------------|
| AC Supply | APR24/APR48: 220/240V, 50/60Hz (nominal) 185-275V full output power up to 50°C [122°F] 150-185V full output power up to 30°C [86°F] APU48: 110/240V, 50/60Hz (nominal) 95-275V full output power up to 50°C [122°F] |
| Power Factor | >0.99 (50 – 100% output current) |
| Efficiency | 24V: 88% (50-100% Output Current) 48V: 90% (50-100% Output Current) |
| DC Output Voltage Range | 24V: 21.5-29V 48V: 43-57.5V |
| Operating Temperature Range | -40°C – +70°C [-40°F – +158°F] Output current is derated above 50°C [122°F] and below -10°C [14°F] |
| Dimensions H,W,D | APS3: 3U, 19" mounting, 300mm [11.8"]* APS6: 6U, 19" mounting, 300mm [11.8"]* APS12: (typical): 15U, 19" mounting, 300mm [11.8"]* APS18: (typical): 18U, 19" mounting, 300mm [11.8"]* APS24: (typical): 21U, 19" mounting, 300mm [11.8"]* * Additional clear space is required for exhaust air (all models) and bus bars (APS12 and larger systems). |
| Weight | APS3 6kg [13lb]* APS6 10kg [22lb]* Access Power Rectifier 1.9kg [4.2lb] * Typical configuration, excluding rectifiers. |
| Supervisory Module | SM40 or SM45 Series |
| DC Distribution Module | APS3: 10-way Miniature Circuit Breakers (MCB) Other models: 24-way Miniature Circuit Breakers (MCB) Custom MCB or fuse options are available on request. Distributions are configurable for battery, load and AC connections. |

Options

| | |
|------------------------------|-------------------------------------------------------------------------------------------------------------------------------------|
| Communications | All models: RS232 direct, or connect to external PSTN or GSM modem (modem not included). With SM45: TCP/IP, SNMP, or web server. |
| Low Voltage Disconnect (LVD) | APS3: 100A internal APS6: 200A internal Other systems: 400 and 800A options |
| Rectifier Blank Panels | For unused rectifier positions |
| DCTools | Configuration software. Free download from: www.powerware.com/downloads |
| Power Xpert | Remote control and monitoring software |
| Other Options | External Surge Protection |

Certifications

All products comply with international standards. Contact your local Eaton DC representative for details on the specific product versions available with these safety and EMC approvals:

| | |
|-------------------------|-------------------------------|
| North America | UL, FCC Verification, CSA, IC |
| Europe | CE |
| Australia / New Zealand | C-tick, Telepermit |

In the interests of continual product improvement all specifications are subject to change without notice.



| Nominal Output Voltage | Rectifier Module | System type | Maximum Number | Maximum Output | Maximum |
|------------------------|------------------|-------------|----------------------|----------------|----------------|
| | | | of Rectifier Modules | Power (kW) | Output Current |
| 24V | APR24 | APS3 | 3 | 2.25 | 93A @ 24V |
| | | APS6 | 6 | 4.5 | 186A @ 24V |
| | | APS12 | 12 | 9 | 372A @ 24V |
| | | APS18 | 18 | 13.5 | 558A @ 24V |
| | | APS24 | 24 | 18 | 744A @ 24V |
| 48V | APR48 | APS3 | 3 | 4.5 | 93A @ 48V |
| | | APS6 | 6 | 9 | 186A @ 48V |
| | | APS12 | 12 | 18 | 372A @ 48V |
| | | APS18 | 18 | 27 | 558A @ 48V |
| | | APS24 | 24 | 36 | 744A @ 48V |
| 48V | APU48 | APS3 | 3 | 2.16 | 45A @ 48V |
| | | APS6 | 6 | 4.32 | 90A @ 48V |
| | | APS12 | 12 | 8.64 | 180A @ 48V |
| | | APS18 | 18 | 12.96 | 270A @ 48V |
| | | APS24 | 24 | 17.28 | 360A @ 48V |

Eaton, CellSure, SiteSure, DCTools and Power Xpert are trade names, trademarks, and/or service marks of Eaton Corporation or its subsidiaries and affiliates. All other trademarks are property of their respective owners.

Data-Voice-Video Power Solutions with Batteries

48V integrated systems up to 18kW (UL-Listed)



The Eaton Data-Voice-Video Power Solutions range of DC power systems is designed for converged network applications requiring compact, efficient and secure DC power supplies.

These DC power systems use Eaton APR48 rectifier modules and can accommodate up to four 48V strings of high capacity VRLA batteries.

All systems include an integral AC and DC distribution with flexible combinations of MCBs, and an SM65 series supervisory module. A low voltage disconnect (LVD) option and extension battery cabinets are also available.

Intelligent system management features include battery temperature charge compensation, fast charge, battery current limit and automatic equalize charging.

Typical applications are providing 48V secure power for POTS or VoIP PABX, customer premises equipment, or wireless base stations.

Eaton Data-Voice-Video Power Solutions are pre-configured for fast installation and set-up. All system settings are fully adjustable in software and stored in transferable configuration files for repeatable one step system set-up.

Typical Applications

- VoIP PABX
- Media gateways
- Enterprise data networks
- Wireless BTS sites (CDMA, GSM/3G/UMTS)

Features

- Intelligent system management features
- Pre-configured software
- High power density
- Fast on-line expansion of rectifiers (hot-swap)
- High efficiency and unity power factor
- Range of DC distribution configurations
- Integrated batteries
- Automatic battery condition testing
- Wide AC input voltage range



Powering Business Worldwide

Technical Specification

Input

| | |
|--------------|---------------------------------------------------------------------------------------------------|
| AC Supply | 208/220/240 VAC, 50/60 Hz (nominal) Via 4 x NEMA L6-30 twist lock plug and cord sets supplied. |
| Power Factor | >0.99* (20 – 100% maximum system current) |
| Efficiency | 90% (50 - 100% output current)* |

Output

| | |
|---------------|----------------------|
| DC Output | 40 – 58V |
| Voltage Range | |
| Typical DC | 18 kW (375A @ 48V) † |
| Output Power | |

Environmental

| | |
|-----------------------------|--------------------------------|
| Operating Temperature Range | -25°C [-13°F] to 40°C [104°F]* |
|-----------------------------|--------------------------------|

Mechanical

| | |
|------------------|------------------------------------------------------------------------------------------------------------------------------------------------------------------------------------------------------------------------------|
| Dimensions H,W,D | 2000mm [78.7"], 600mm [23.6"], 600mm [23.6"] |
| Weight | System (DV2-A12B-130): 866kg [1910 lb]. Typical maximum with 12 rectifier modules and 4 x 48V/150Ah battery strings. Battery cabinet (DV2-EBC4-130): 849kg [1871 lb]. Typical maximum with 4 x 48V/150Ah battery strings. |

System

| | |
|-------------------|----------------------------------------------------------------------------------------------------------|
| System Controller | SM65 series |
| Communications | 10 baseT Ethernet port On board web server SNMP agent |
| Batteries | Up to 4 strings 600Ah total capacity, or 8 strings 1200Ah total capacity with extension battery cabinet. |
| DC Distribution | Up to 28 MCBs (2 - 63A) |

* Refer to rectifier specifications for more information.

† System output power will vary depending on rectifiers and batteries selected.

Options

| | |
|------------------------------|----------------------------------------------------------------------------------------------------------------------------------------------------------------------|
| Low Voltage Disconnect (LVD) | Single LVD (battery disconnect) |
| Rectifier Blank Panels | For unused rectifier positions |
| Power Xpert DC Tools | Remote control and monitoring software Configuration Software. Free download from www.powerware.com/downloads |
| SiteSure | Input/output modules to monitor and control external equipment |
| CellWatch | Comprehensive battery monitoring and fault diagnosis system with patented state-of-health algorithms. |

Certifications

All products comply with international standards. Contact your local Eaton DC representative for details on the specific product versions available with these safety and EMC approvals:

UL
FCC

In the interests of continual product improvement all specifications are subject to change without notice.



Data-Voice-Video Power Solutions with Batteries

48V integrated systems up to 36kW (UL-Listed)



The Eaton Data-Voice-Video Power Solutions range of DC power systems is designed for converged network applications requiring compact, efficient and secure DC power supplies.

These DC power systems use Eaton APR48 rectifier modules and can accommodate up to three 48V strings of high capacity VRLA batteries.

All systems include an integral AC and DC distribution with flexible combinations of MCBs, and an SM65 series supervisory module. Optional extension battery cabinets are also available.

Intelligent system management features include battery temperature charge compensation, fast charge, battery current limit and automatic equalize charging.

Typical applications are providing 48V secure power for POTS or VoIP PABX, customer premises equipment, or wireless base stations.

Eaton Data-Voice-Video Power Solutions are pre-configured for fast installation and set-up. All system settings are fully adjustable in software and stored in transferable configuration files for repeatable one step system set-up.

Typical Applications

- VoIP PABX
- Media gateways
- Enterprise data networks
- Wireless BTS sites (CDMA, GSM/3G/UMTS)

Features

- Intelligent system management features
- Pre-configured software
- High power density
- Fast on-line expansion of rectifiers (hot-swap)
- High efficiency and unity power factor
- Range of DC distribution configurations
- Integrated batteries
- Automatic battery condition testing
- Wide AC input voltage range



Powering Business Worldwide

Technical Specification

Input

| | |
|--------------|---------------------------------------------------------------------------------------------------|
| AC Supply | 208/220/240 VAC, 50/60 Hz (nominal) Via 8 x NEMA L6-30 twist lock plug and cord sets supplied. |
| Power Factor | >0.99* (20 – 100% maximum system current) |
| Efficiency | 90% (50 - 100% output current)* |

Output

| | |
|-------------------------|----------------------|
| DC Output | 40 – 58V |
| Voltage Range | |
| Typical DC Output Power | 36 kW (750A @ 48V) † |

Environmental

| | |
|-----------------------------|--------------------------------|
| Operating Temperature Range | -25°C [-13°F] to 40°C [104°F]* |
|-----------------------------|--------------------------------|

Mechanical

| | |
|------------------|------------------------------------------------------------------------------------------------------------------------------------------------------------------------------------------------------------------------------|
| Dimensions H,W,D | 2000mm [78.7"], 600mm [23.6"], 600mm [23.6"] |
| Weight | System (DV2-A24B-130): 713kg [1572 lb]. Typical maximum with 24 rectifier modules and 3 x 48V/150Ah battery strings. Battery cabinet (DV2-EBC4-130): 849kg [1871 lb]. Typical maximum with 4 x 48V/150Ah battery strings. |

System

| | |
|-------------------|-----------------------------------------------------------------------------------------------------------|
| System Controller | SM65 series |
| Communications | 10 baseT Ethernet port On board web server SNMP agent |
| Batteries | Up to 3 strings 450Ah total capacity, or 27 strings 4050Ah total capacity with extension battery cabinet. |
| DC Distribution | Up to 28 MCBs (2 - 63A) |

* Refer to rectifier specifications for more information.

† System output power will vary depending on rectifiers and batteries selected.

Options

| | |
|------------------------|-------------------------------------------------------------------------------------------------------------------------------------------------------------------|
| Rectifier Blank Panels | For unused rectifier positions |
| Power Xpert DC Tools | Remote control and monitoring software Configuration Software. Free download from www.powerware.com/downloads |
| SiteSure | Input/output modules to monitor and control external equipment |
| CellWatch | Comprehensive battery monitoring and fault diagnosis system with patented state-of-health algorithms. |

Certifications

All products comply with international standards. Contact your local Eaton DC representative for details on the specific product versions available with these safety and EMC approvals:

UL
FCC

In the interests of continual product improvement all specifications are subject to change without notice.



DV2 - 3G Core Power Solutions

North American Models



48V integrated systems up to 750kW

The **Eaton® Data-Voice-Video Core Power Solutions** range of DC power systems is designed for telecommunications network applications requiring high powered, efficient and flexible DC power supplies.

These DC power systems use Eaton CR48-3G rectifier modules and include an integral AC and DC distribution with flexible combinations of fuses and MCBs, and an SC200 system controller. Low voltage disconnect (LVD) options are also available. DC distribution cabinets can be connected in parallel where additional distribution space is required. Systems up to 15,000A can be configured using external busbars.

Intelligent system management features include battery temperature compensation, fast charge, battery current limit, automatic equalize charging and

automatic battery condition monitoring.

Typical applications are providing 48V standby power for centralized architecture such as local and central office switches and other large switch installations, wireless switching centers, long-distance transmission systems and data centers.

Eaton DV2 Core Power Solutions are pre-configured for fast installation and set-up. All system settings are fully adjustable in software and stored in transferable configuration files for repeatable one-step system set-up.

Typical Applications

- Wireless MSC sites (CDMA/GSM/3G UMTS)
- Local and central office switching
- Point of presence (POP) sites
- Data centers

Features

- Intelligent system management features
- Pre-configured software
- High power density
- Fast on-line expansion of rectifiers (hot-swap)
- High efficiency and unity power factor
- Range of DC distribution configurations
- Battery condition monitoring
- Wide AC input voltage range
- Seismic rated cabinet
- Remote monitoring and control
- Full length security door (optional)



Powering Business Worldwide

Technical Specification

Input

| | |
|-------------------|-----------------------------------------------------------------|
| Nominal AC Supply | 3P+PE, Δ 208Vac 3P+N+PE, Y 230/400Vac, 277/480Vac 50/60Hz |
| Power Factor | >0.99* (20 – 100% Maximum System Current) |
| Efficiency | up to 92%* |

Output

| | |
|-------------------------|----------------|
| DC Output Voltage Range | 40 – 58V |
| Typical DC Output Power | 46kW - 750kW † |

Environmental

| | |
|-----------------------------|-----------------|
| Operating Temperature Range | -25°C to +40°C* |
|-----------------------------|-----------------|

Mechanical

| | |
|------------------|---------------------------------------------------------------------------|
| Dimensions H,W,D | 2000mm [78.7"], 600mm [23.6"], 600mm [23.6"] |
| Weight | 200kg [443lb] Typical configuration with 16 CR48-3G rectifier modules. |

System

| | |
|-------------------|-------|
| System Controller | SC200 |
|-------------------|-------|

Options

| | |
|------------------------------|----------------------------------------------------------------------------------------------------------------------------------------------------------------------------------------------------------------------------------------------|
| AC Distribution | Rectifier MCBs |
| DC Distribution | DC Distribution (19") - DCD1M DCM2000 – Bullet Breakers to 250A per circuit DCB1000 – Bullet Breakers 600A per circuit DCF0208 – 2U Fuse Panel, 2xTPL fuses up to 800A each DCF0408 – 4U Fuse Panel, 4xTPL fuses up to 800A each |
| Low Voltage Disconnect (LVD) | Single or dual LVD can be configured as battery or load disconnect including non-priority load disconnect. |
| Rectifier Blank Panels | For unused rectifier positions |
| SiteSure | Input/output modules to monitor and control external equipment |
| CellWatch | Comprehensive battery monitoring and fault diagnosis system with patented state-of-health algorithms. |
| Software | |
| Power Xpert | Remote control and monitoring software |
| DCTools | Configuration Software. Free download from www.powerware.com/downloads |

Certifications

All products comply with International Standards. Contact your local Eaton DC representative for details on the specific product versions available with these safety and EMC approvals:

| | |
|-------------------------|-----------------------------------|
| North America | UL pending |
| Europe | CE |
| Australia / New Zealand | C-tick, Seismic rating to NZS4203 |

In the interests of continual product improvement all specifications are subject to change without notice.



MPS12-30

Secure Micro Power Solution for In-Home Optical Network Terminals (ONT)



Eaton's MPS12-30 Micro Power Solution provides secure DC power for 'next generation' customer premise equipment (CPE) including fibre based communication and IP telephony applications. An integrated battery provides secure power backup to critical services such as phone, medical alert, home automation and security during a commercial (mains) AC power outage.

The MPS12-30 is the ideal secure power protection unit where continuation of critical services is

Typical backup time on battery power is approximately 4 to 8 hours depending on factors such as usage, battery age, state of charge, and environmental conditions. The MPS12-30 indoor solution greatly improves battery service life compared to comparable outdoor designs.

Features

- Universal input range of 80 - 260VAC
- 12V DC (30W max.) output
- Integrated, hot-swappable battery backup allows replacement by the owner, without power interruption
- Microprocessor controlled for maximizing reliability
- Audible power failure alarm with mute
- Digital outputs for remote monitoring
- Wall mountable design for flexibility
- Multiple LED design for AC power and battery status indications



Powering Business Worldwide

Technical Specification

Brief Technical Specifications

| | |
|------------------------|---------------------------------------------------------------------------------------------------------------------------------------------------------------------------------------------------------------------------------------------------------------|
| AC Supply | Input range: 80-260Vac Input frequency Range: 45-65Hz Inlet: IEC inlet |
| DC Output | Output power (max.): 30W |
| Nominal voltage: | 12VDC |
| Output Voltage Range: | 10.5 – 13.8VDC |
| Tolerance: | 10.5V (-0.2V, +0.25V) 13.8V (-0.35V, +0.15V) |
| Output Protection: | 80% 10Amps fuse soldered on PCB |
| Battery | Typical type/rating: 12V/7Ah (see figure 1) Discharge prevention: 10.5V ± 0.5V Rated charging voltage: 13.7V ± 0.25V Recharge time (internal batter): 4 hours to 90% load after complete discharge. Charge current: 2.5A maximum Hot swappable |
| LED Indicator | AC mode: green LED continuous Backup mode: yellow LED continuous Battery low: yellow LED flashing Battery replace: red LED flashing Battery missing: red LED continuous Fault: red LED continuous Battery self-test: green LED flashing |
| Audible Alarm | Battery mode: every 5 seconds Battery low: every 1 second Battery replace: every 2 seconds Battery missing: continuous Fault: continuous |
| Physical Specification | Weight of unit: 3.5kgs Dimensions H, W, D: 358mm, 120mm, 85.6mm Operating temperature: 0°C to 40°C Operating humidity: 0% to 90% Operating elevation: 0 to 3000m |

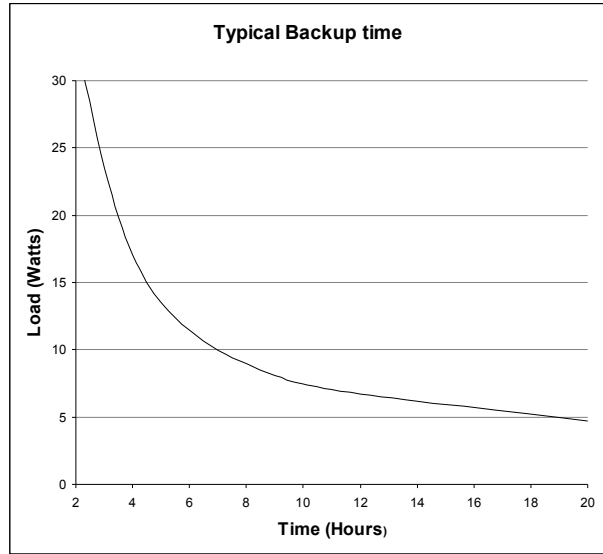
Certifications

All products comply with international standards.
Europe: CE

In the interests of continual product improvement all specifications are subject to change without notice. Performance ratings are valid with all other variables at Nominal. Specifications guaranteed over rated operating range.



Figure 1: 12V/7Ah Battery Capacity



*Battery times are approximate and vary depending on factors such as:
- battery type
- load configuration
- battery charge
- battery age and temperature.

Country/Region Product Variance

Standard Product

MPS12-30 - Micro Power Solution, 12V, 30Watt, Includes Battery. AC cordset not included.

United Kingdom

MPS12-30-UK - Micro Power Solution, 12V, 30Watt, Includes Battery and UK 3pin cordset.

European Union

MPS12-30-EU - Micro Power Solution, 12V, 30Watt, Includes Battery and Schucko cordset.

Australia and New Zealand

MPS12-30-ANZ - Micro Power Solution, 12V, 30Watt, Includes Battery and Australia/New Zealand cordset.

North America

MPS12-30-NA - Micro Power Solution, 12V, 30Watt, Includes Battery and North America cordset.

Eaton, CellSure, SiteSure, DCTools and Power Xpert are trade names, trademarks, and/or service marks of Eaton Corporation or its subsidiaries and affiliates. All other trademarks are property of their respective owners.

© 2010 Eaton Corporation
All Rights Reserved
MPS B

Matrix™ Modular Inverter Solution



The **Eaton® Matrix™ Modular Inverter Solution** is an integrated inverter power system designed for applications where a very high reliability AC supply is required.

The Matrix modular design ensures maximum flexibility to configure solutions to customers' requirements. Modules include inverters, Static Transfer Switch, controller, interface module and Maintenance Bypass Module. With its versatile "building block" design and n+x redundant configuration, the Matrix ensures reliable telecommunication and industrial AC power.

The Matrix Static Transfer Switch provides automatic and instantaneous load transfer between mains power and inverter power and back again, to ensure uninterrupted AC supply to sensitive electronic equipment.

The Matrix solution uses digital microprocessor control. The monitoring controller gives real-time system status through comprehensive LCD /LED displays, and allows program settings through the display panel.

With the Matrix communication interface module installed, you can control and monitor the system remotely.

Features

- Ultimate high power density reducing space demand
- Hot-pluggable connection allows module addition or removal without interruption to AC supply
- Versatile modular design allows a variety of configurations for different power needs
- Capacity up to 18kVA
- n+x redundancy
- Single phase 120Vac or 230Vac output options
- High efficiency, >89%
- Comprehensive LCD/LED display provides system status, and user-friendly panel eases program settings
- Optional Maintenance Bypass Switch with integrated AC distribution
- Optional USB/RS232/RS485 communication for local and remote management



Powering Business Worldwide

Technical Specification

DC Input

| | |
|------------------|--------------------------------------------------------|
| Nominal Voltage | 48Vdc |
| Operating Range | 40.5Vdc ~ 58Vdc |
| Surge Protection | Telcordia GR-1089 CORD, ANSI C62.41-IEEE, STD 587-1980 |
| Input Protection | Reverse polarity protection |

AC Output

| | |
|----------------|---------------------------------------------------|
| Output | Pure sine wave |
| Waveform | |
| Output power | 18kVA (max) |
| Power factor | 0.8 |
| Nominal Output | 110/115/120Vac 208/220/230/240Vac |
| Frequency | 50/60Hz ±0.5% |
| Crest factor | 3:1 |
| THD | <3%, linear load <5%, non-linear load |
| Efficiency | Min 88% at rated load |
| Overload | 1.5*Inom >20s 1.25*Inom temperature controlled |

Modules

| | |
|------------------------|-------------------------------------------------------------------------------------------------------------------------------------------------------------------------------------------------------------------------------------------------------------------------------------|
| Inverter | INV-4810E: 1000VA/800W inverter module INV-4810: 1000VA/800W inverter module INV-4815E: 1500VA/1200W inverter module INV-4815: 1500VA/1200W inverter module |
| Static Transfer Switch | INV-STS-050: 50A static transfer switch INV-STS-100: 100A static transfer switch |
| Controller | INV-MC-1000: Controller module INV-IFC-1000: RS232/USB/RS485 interface module |
| Shelf | INV-SS-2-1U: Chassis for two inverters (1U) INV-STSSS-1U: Chassis for controller/STS-050 (1U) INV-STSSS-2U: Chassis for controller/STS-100 (2U) INV-MBSDU-50: 50A maintenance bypass, power distribution module (2U) INV-MBSDU-100: 100A maintenance bypass module (2U) |

Mechanical

| | |
|----------------|------------------------------------------------------------------------------------|
| Inverter Shelf | INV-SS-2-1U: (HxWxD) 1U x 19" x 330mm (1.75"x19"x13") Weight 2.7kg (6lb) |
| 50A STS Shelf | INV-STSSS-1U: (HxWxD) 1U x 19" x 330mm (1.75"x19"x 13") Weight 2.7kg (6 lb) |
| 50A MBS/DU | INV-MBSDU-50: (HxWxD) 2U x 19" x 330mm (3.5"x19"x13") Weight 7.0kg (15.4lb) |
| 100A STS Shelf | INV-STSSS-2U: (HxWxD) 2U x 19" x 330mm (3.5"x19"x13") Weight 3kg (6.6 lb) |
| 100A MBS | INV-MBS-100: ' (HxWxD) 2U x 19" x 330mm (3.5"x19"x13") Weight 7.0kg (15.4lb) |

Maximum Number of Inverter Modules for Parallel Operation (Max Power)

| Model | Without STS | With STS-050 | With STS-100 |
|-----------|-------------|--------------|--------------|
| INV-4810 | 12 (12kVA) | 6 (6kVA) | 12 (12kVA) |
| INV-4810E | 12 (12kVA) | 12 (12kVA) | 12 (12kVA) |
| INV-4815 | 12 (18kVA) | 4 (6kVA) | 8 (12kVA) |
| INV-4815E | 12 (18kVA) | 8 (12kVA) | 12 (18kVA) |

Certifications

All products comply with international standards including CE and UL.

In the interests of continual product improvement all specifications are subject to change without notice.



Matrix™ 2000 Standalone Inverter



Features

- Designed for telecom applications
- Pure sine wave output
- Unity power factor (full 2000 watt output power)
- Significant overload capability, 120% continuously, 200% for 5 seconds
- High efficiency, >91 %
- High power density
- Built in Static Transfer Switch (STS)
- DSP design for improved reliability and performance
- Single phase 120Vac or 230Vac output options
- Comprehensive LCD/LED with keypad
- USB interface for connecting to PC
- Wide selection of configurable parameters.
- International certifications

The **Eaton® Matrix™ 2000 Standalone Inverter** is designed for use in telecommunications applications where a very reliable AC supply is required. The high efficiency and compact size makes the Matrix 2000 Inverter an outstanding solution for powering all types of critical AC equipment.

The Matrix 2000 Standalone Inverter provides 2000W of reliable AC power in a 1U x 19" rack mount package that includes a built-in Static Transfer Switch (STS). The STS automatically and instantaneously switches the AC output, from the DC inverter to an alternative source such as AC mains (and back again), providing extra security of the AC supply to the load equipment.

The Matrix 2000 solution uses digital microprocessor control to provide maximum performance under all operating conditions. The built-in controller gives real-time system status through comprehensive LCD/LED displays, and allows program setting through a keypad panel.

The Matrix 2000 Standalone Inverter includes a built in USB interface for monitoring and control.



Powering Business Worldwide

Technical Specification

DC Input

Operating Range 48V: 40Vdc ~ 60Vdc

AC Input (to Transfer Switch)

Voltage Range: INV-4820SA: 89Vac to 138Vac
(50/60Hz) INV-4820ESA: 176Vac to 276Vac
Transfer Time <10ms

AC Output

Power Output 2000VA / 2000W
Wave Form Pure sine wave
Power Factor 1.0
Nominal Output INV-4820SA: 110/115/120Vac
Voltage INV-4820ESA: 208/220/230/240Vac
(selectable)
Output 50,60Hz
Frequency
Efficiency >91% at rated load
Over Load 2*Inom, 5sec max
Protection 1.5*Inom, 10sec max
1.25*Inom, temperature controlled

Environmental Requirements

Operating Temperature Range -20°C to 60°C (-4°F to 140°F)
-20°C to 50 °C (-4°F to 122°F), full performance
Cooling Fan Cooled

Certifications

All products comply with international standards.

Safety EN60950-1 / UL60950-1

Europe CE

In the interests of continual product improvement all specifications are subject to change without notice.



DCTools™ Configuration Software



Eaton® DCTools is the new configuration software for field technicians installing and maintaining Eaton DC power systems. It is supplied at no charge by download from the Internet and simplifies the setup and operation of all Eaton DC power systems.

Frontline staff will find DCTools is a major benefit during the installation, troubleshooting and support of any Eaton DC power system, CellWatch battery monitoring systems and SiteSure ancillary monitoring and control systems.

For added flexibility DCTools can connect to an Eaton DC power system in three ways; directly through an RS232 serial connection; through a dialup or cellular modem, or through an Ethernet LAN/WAN.

DCTools is the ideal setup and diagnostic tool for field technicians. It provides a very easy way for them to configure an Eaton DC product, and view status and alarm conditions.

Among the advantages of using DCTools are reduced installation times, lower fault response times, less need to visit sites and better access to operating data for fault analysis and operating conditions such as load growth.

These make the processes of power system installation and operation more efficient with the potential for real operating cost savings.

DCTools is available for download at www.powerware.com/downloads

Features

- DC power system configuration software
- Windows® compatible
- Easy to use graphical display
- Operates with all Eaton DC power systems, CellWatch™ and SiteSure™
- Local (RS232 serial) or remote (dialup modem or Ethernet) connection
- Downloadable from the Internet at no charge



Powering Business Worldwide

Technical Specification

Computer Minimum Requirements

| | |
|------------------|--------------------------------------|
| Operating System | Windows 98, Windows NT 4.0 or later |
| RAM | 16Mb Ram Windows 98, 24Mb Windows NT |

| | |
|---------------------|---------------------------------|
| Connection | Standard serial port (Com port) |
| Internet connection | Required for download only |

Interfaces

| | |
|-------------------------------------|---------------------------|
| Communications interfaces supported | RS232, Ethernet, or modem |
|-------------------------------------|---------------------------|

Availability

| | |
|---------------|------------------------------------------------------------------------------|
| Free download | www.powerware.com/downloads |
|---------------|------------------------------------------------------------------------------|

In the interests of continual product improvement all specifications are subject to change without notice.

Eaton, CellWatch, SiteSure, DCTools and PowerManager are trade names, trademarks, and/or service marks of Eaton Corporation or its subsidiaries and affiliates. All other trademarks are property of their respective owners.

EPR48-3G Rectifier Module



The **Eaton® EPR48-3G Enterprise Power Rectifiers** are designed specifically for enterprise applications such as PoE and VoIP converged data networks, customer premises equipment and also tele-communications roadside cabinet installations.

The EPR48-3G is a telecom network grade rectifier with 900W output. It is designed for operation at up to 70°C (158°F) and under a wide range of AC power conditions.

The EPR48-3G rectifier is microprocessor controlled and includes intelligent features such as automatic set up during installation, temperature dependant variable speed fans for lowest audible noise and automatic self protection over wide ranging environmental conditions.

The EPR48-3G also has power factor correction and is up to 91% efficient, with optimum performance available at typical load currents. Together these give the EPR48-3G some of the lowest running costs for any DC power system of its type available.

The EPR48-3G rectifier module will provide years of costeffective, and trouble free service for your 48V enterprise access equipment.

Typical Applications:

- PoE equipment
- VoIP/IP converged data networks
- PABX for any business network
- Telecom roadside cabinets

Features

- Fast on-line expansion of rectifiers (hot-swap)
- Automatic set-up from system controller
- Intelligent microprocessor controlled
- High efficiency and unity power factor
- Universal AC supply input
- Wide output voltage ranges
- Constant power output
- Compliance with international standards



Powering Business Worldwide

Technical Specification

Input

| | |
|--------------|--------------------------------------------------------------------|
| AC Supply | Nominal: 220/240V, 50/60Hz Extended Operating Range: 90V – 275V |
| Power Factor | >0.98 (50 – 100% Output Current) |
| Efficiency | 91% (50 – 100% Output Current) |

Output

| | |
|-------------------------|--------------------------------------------------|
| DC Output Voltage Range | 48V: 43 – 57.5V |
| DC Output (maximum) | 900W (240V AC nominal) 550W (120V AC nominal) |

Environmental

| | |
|-----------------------------|--------------------------------------------------------------------------------|
| Operating Temperature Range | -40°C – +70°C [-40°F – +158°F] Output current is derated above 50°C [122°F] |
| Cooling | Temperature controlled, variable speed, high reliability fans |

Mechanical

| | |
|------------|------------------------------------------------------------------|
| Dimensions | 3U: 133mm [5.25"], 42mm [1.65"], H,W,D 266mm [10.45"] overall |
| Weight | 1.7kg [3.7 lb] |

Certifications

| | |
|-------------------------|----------------------|
| North America | UL, FCC Verification |
| Europe | CE |
| Australia / New Zealand | C-tick, Telepermit |

In the interests of continual product improvement all specifications are subject to change without notice. Performance ratings are valid with all other variables at Nominal. Specifications guaranteed over rated operating range.



Eaton, CellSure, SiteSure, DCTools and PowerManager are trade names, trademarks, and/or service marks of Eaton Corporation or its subsidiaries and affiliates. All other trademarks are property of their respective owners.

APR48-3G Rectifier Module



The **Eaton® APR48-3G Access Power Rectifiers** are designed specifically for network access applications such as cellular base stations, customer premises equipment and road-side cabinet installations.

The new generation 3G architecture is reliable, power dense and compact. The high power density allows as little as 1U of rack space to be occupied by power, therefore, maximizing space available for telco equipment.

The APR48-3G rectifier incorporates a combination of leading-edge high frequency switch mode technology for a flexible and efficient DC power source, with high reliability fan cooling which further contributes to its high overall reliability.

The APR48-3G is a high powered rectifier with 1800W output. It is designed for operation at up to 70°C (158°F) and under a wide range of AC power conditions.

These features make the APR48-3G perfectly suited to the wide variety of equipment and demanding environmental conditions found in network access applications.

The APR48-3G also has power factor correction and is up to 92% efficient, with optimum performance available at typical load currents. Together these give the APR48-3G some of the lowest running costs for any DC power system of its type available.

Operating with the Eaton SC100 or SC200 system controller, the APR48-3G rectifier modules will provide years of cost-effective, and trouble free service for your 48V network access equipment.

Features

- Fast on-line expansion of rectifiers (hot-swap)
- Automatic set-up from system controller
- Intelligent microprocessor controlled
- Industry leading power density
- High efficiency and unity power factor
- Wide AC supply conditions
- Wide output voltage ranges
- Constant power output
- Compliance with international standards



Powering Business Worldwide

Technical Specification

Input

| | |
|--------------|------------------------------------------------------------------------------|
| AC Supply | 220/240V, 50/60Hz (nominal) 175-275V full output power up to 50°C [122°F] |
| Power Factor | >0.99 (50 – 100% Output Current) |
| Efficiency | 92% (50 – 100% Output Current) |

Output

| | |
|------------------------|-----------------|
| DC Output | 48V: 43 – 57.5V |
| Voltage Range | |
| DC Output (maximum) | 1800W @ 48V |

Environmental

| | |
|-----------------------------------|----------------------------------------------------------------------------------------------------------|
| Operating Temperature Range | -40°C – +70°C [-40°F – +158°F] Output current is derated above 50°C [122°F] and below -10°C [14°F] |
| Cooling | Temperature controlled, high reliability fans |

Mechanical

| | |
|------------|-------------------------------------------|
| Dimensions | 3U: 133mm [5.25"], 42mm [1.65"], H,W,D |
| H,W,D | 266mm [10.45"] overall |
| Weight | 1.7kg [3.7 lb] |

Certifications

| | |
|----------------------------|-------------------------------|
| North America | UL, FCC Verification, CSA, IC |
| Europe | CE |
| Australia / New Zealand | C-tick, Telepermit |

In the interests of continual product improvement all specifications are subject to change without notice. Performance ratings are valid with all other variables at Nominal. Specifications guaranteed over rated operating range.



Eaton, CellSure, SiteSure, DCTools and PowerManager are trade names, trademarks, and/or service marks of Eaton Corporation or its subsidiaries and affiliates. All other trademarks are property of their respective owners.

APR48-ES Energy Saver Rectifier



The **Eaton® APR48-ES Energy Saver Rectifier** is designed for communications network operators who are striving to cut energy costs across the network, and/or to meet aggressive carbon footprint reduction targets.

Operating with well over 96% efficiency, it produces at least 50% less waste energy than most other modern rectifiers, and with potentially greater savings over older infrastructure.

The 2kW Energy Saver Rectifier is the ideal module size for powering access applications within a telecom network such as cellular base stations, ADSL equipment, and fibre nodes.

This rectifier features intelligent digital signal processing for enhanced control, producing peak efficiency in excess of 96% for typical operating loads, while also maintaining a very high minimum operating efficiency of 95 to 96%, over a very wide range of loads (from 30% to 100% of the 2kW capacity).

Achieving very high energy saving efficiency levels is further ensured as the Energy Saver Rectifier also operates with Load Based Rectifier Shutdown (LBRS) which automatically ensures the rectifiers are operating in their optimal efficiency band for maximum system efficiency.

The high power density, short depth and flexible mounting options makes the Energy Saver Rectifier well suited to limited space applications such as ETSI and road side cabinets.

The Energy Saver Rectifier is fully compatible with existing Eaton 3G systems and it is one of the easiest rectifiers to use, with a simple plug-and-go insertion. It operates under a wide range of AC power conditions and in temperatures at up to 70°C (158°F).

Features

- 2000W output power
- Energy saving efficiency greater than 96%
- Wide efficiency curve
- Industry leading power density
- Fast on-line expansion of rectifiers (hot-swap)
- Simple 'plug and go' insert
- Unity power factor
- Digital signal processing for enhanced control
- Wide AC supply conditions
- Wide output voltage range
- Constant power output
- Compliance with international standards



Powering Business Worldwide

Technical Specification

Input

| | |
|--------------|-------------------------------------------------------------------------------------------------------------------|
| AC Supply | 120V/208-240V, 50/60Hz (nominal) 185-275V full output power up to 50°C [122°F] 90-185V reduced output power |
| Power Factor | >0.99 (50 – 100% output current) |
| Efficiency | >96% peak >95% (30 – 100% output power) |

Output

| | |
|-------------------------|-------------|
| DC Output Voltage Range | 43 – 57.5V |
| DC Output (maximum) | 2000W @ 48V |

Environmental

| | |
|-----------------------------|----------------------------------------------------------------------------------------------|
| Operating Temperature Range | -40°C – +70°C [-40°F – +158°F] Output power derates above 50°C [122°F] |
| Cooling | Temperature controlled, variable speed, high reliability fan <50dBA ambient temperature 25°C |

Mechanical

| | |
|------------------|------------------------------------------------------------|
| Dimensions H,W,D | 3U: 133mm [5.25"], 42mm [1.65"], 266mm [10.45"] overall |
| Weight | 1.7kg [3.7 lb] |

Certifications

| | |
|----------------------------|-------------------------------|
| North America | UL, FCC Verification, CSA, IC |
| Europe | CE |
| Australia / New Zealand | C-tick |

In the interests of continual product improvement all specifications are subject to change without notice. Performance ratings are valid with all other variables at Nominal.



Eaton, CellSure, SiteSure, DCTools and PowerManager are trade names, trademarks, and/or service marks of Eaton Corporation or its subsidiaries and affiliates. All other trademarks are property of their respective owners.

APR24 Access Power Rectifier



The Eaton APR24 series of 24V rectifier modules are designed specifically for network access applications such as customer premises equipment, and road-side cabinet installations.

The combination of high frequency switch mode technology with high reliability fan cooling makes the APR24 a flexible, efficient, and reliable DC power source.

Designed for operation at up to 70°C (158°F) and under a wide range of AC power conditions means that the APR24 is perfectly suited to the demanding environments found in network access applications.

This rectifier has power factor correction and up to 88% efficiency, giving optimum performance at typical load currents.

Designed to operate with the Eaton SM40/SM45 and SM60/SM65 supervisory modules in any of the versatile Access Power Solutions DC power systems, the APR24 rectifier modules will provide years of cost-effective, and trouble free service for your network access equipment.

Features

- Fast on-line replacement of rectifiers (hot-swap)
- Automatic set-up from supervisory module
- Intelligent microprocessor controlled
- High power density
- High efficiency and unity power factor
- Wide AC supply conditions
- Wide output voltage ranges
- Constant power output
- Compliance with international standards



Powering Business Worldwide

Technical Specification

Brief Technical Specifications

| | |
|-----------------------------|------------------------------------------------------------------------------------------------------------------------|
| AC Supply | 220/240V, 50/60Hz (nominal) 185V-275V: full output up to 50°C [122°F] 150V-185V: full output up to 30°C [86°F] |
| Power Factor | >0.99 (50 –100% Output Current) |
| Efficiency | 88% (50 – 100% Output Current) |
| DC Output Voltage Range | 24V: 21.5 – 29V |
| DC Output (maximum) | 750W, 31A @ 24V |
| Operating Temperature Range | -40°C – +70°C [-40°F – +158°F] Output current is derated above 50°C [122°F] and below -10°C [14°F] |
| Relay outputs | 6 Voltage free, NO-C-NC, 0.1A @ 60VDC Screw terminal block, 0.5mm ² - 2.0mm ² conductors |
| Cooling | Temperature controlled, high reliability fan |
| Dimensions H,W,D | 3U: 133mm [5.25"], 13E: 66mm [2.6"], 257mm [10.1"] overall |
| Weight | 1.9kg [4.2lb] |

Certifications

All products comply with international standards. Contact your local Eaton DC representative for details on the specific product versions available with these safety and EMC approvals:

North America UL, FCC Verification, CSA, IC
Europe CE
Australia / New Zealand C-tick, Telepermit

In the interests of continual product improvement all specifications are subject to change without notice.



APR48/APU48 Access Power Rectifiers



The Eaton APR48 and APU48 Access Power Rectifiers are designed specifically for network access applications such as cellular base stations, customer premises equipment and road-side cabinet installations.

The combination of field proven performance with high reliability fan cooling and high frequency switch mode technology makes the APR48 and APU48 flexible, efficient, and reliable DC power sources.

The APR48 has a 1500W output and it is designed for operation at up to 70°C (158°F) and under a wide range of AC power conditions.

The APU48 is designed specifically for operation from 110V or 240V nominal AC supplies making it a universal DC power source suitable for use in any country.

These features make the APR48 and APU48 perfectly suited to the wide variety of equipment and demanding environmental conditions found in network access applications.

Both models also have power factor correction and are up to 90% efficient, with optimum performance available at typical load currents.

Operating with the Eaton SM40/SM45 or SM60/SM65 series supervisory modules the APR48 and APU48 rectifier modules will provide years of cost-effective, and trouble free service for your 48V network access equipment.

Features

- Fast on-line replacement of rectifiers (hot-swap)
- Automatic set-up from supervisory module
- Intelligent microprocessor controlled
- Industry leading power density
- High efficiency and unity power factor
- Wide or universal AC input
- Wide output voltage ranges
- Constant power output
- Compliance with international standards



Powering Business Worldwide

Technical Specification

Input

| | |
|--------------|---------------------------------------------------------------------------------------------------------------------------------------------------------------------------------------------------------------------------|
| AC Supply | APR48: 220/240V, 50/60Hz (nominal) 185-275V full output power up to 50°C [122°F] 150-185V full output power up to 30°C [86°F] APU48: 110/240V, 50/60Hz (nominal) 95-275V full output power up to 50°C [122°F] |
| Power Factor | >0.99 (50 – 100% Output Current) |
| Efficiency | 90% (50 – 100% Output Current) |

Output

| | |
|-------------------------|---------------------------------------------------|
| DC Output Voltage Range | 48V: 43 – 57.5V |
| DC Output (maximum) | APR48: 1500W, 31A @ 48V APU48: 720W, 15A @ 48V |

Environmental

| | |
|-----------------------------|-------------------------------------------------------------------------------------------------------|
| Operating Temperature Range | -40°C – +70°C [-40°F – +158°F] Output current is derated above 50°C [122°F] and below -10°C [14°F] |
| Cooling | Temperature controlled, high reliability fans |

Mechanical

| | |
|------------------|------------------------------------------------------------|
| Dimensions H,W,D | 3U: 133mm [5.25"], 13E: 66mm [2.6"], 257mm [10.1"] overall |
| Weight | 1.9kg [4.2lb] |

Certifications

| | |
|-------------------------|-------------------------------|
| North America | UL, FCC Verification, CSA, IC |
| Europe | CE |
| Australia / New Zealand | C-tick, Telepermit |

In the interests of continual product improvement all specifications are subject to change without notice. Performance ratings are valid with all other variables at Nominal. Specifications guaranteed over rated operating range.



Eaton, CellSure, SiteSure, DCTools and PowerManager are trade names, trademarks, and/or service marks of Eaton Corporation or its subsidiaries and affiliates. All other trademarks are property of their respective owners.

CR48-3G Rectifier Module



The **Eaton® CR48-3G Core Network Rectifiers** are designed specifically for core network applications such as central office and data centres.

The new generation 3G architecture of the CR48-3G rectifier has improved space utilisation so rack space can be maximised for use with telco equipment and not power equipment.

The combination of industry leading power density and high frequency switch mode technology with high reliability fan cooling makes the CR48-3G a flexible, efficient, and very highly reliable DC power source.

The CR48-3G is a very high powered rectifier with 5800W output, it is designed for operation at up to 70°C (158°F) and under a wide range of AC power conditions.

The CR48-3G also has power factor correction and is up to 92% efficient, with optimum performance available at typical load currents. Together these give the CR48-3G some of the lowest running costs for any DC power system of its type available.

These features make the CR48-3G ideally suited to central office and data center applications that require the highest level of performance and reliability from the DC power system.

Operating with the Eaton SC200 system controller, the CR48-3G rectifier modules will provide years of cost-effective, and trouble free service for your core 48V network equipment.

Features

- Fast on-line expansion of rectifiers (hot-swap)
- Automatic set-up from system controller
- Intelligent microprocessor controlled
- Industry leading power density
- High efficiency and unity power factor
- 3Ø AC supply
- Wide AC supply conditions
- Wide output voltage ranges
- Constant power output
- Compliance with international standards



Powering Business Worldwide

Technical Specification

Input

| | |
|--------------|------------------------------------------------------------------------------|
| AC Supply | 220/240V, 50/60Hz (nominal) 175-275V full output power up to 50°C [122°F] |
| Power Factor | >0.99 (50 – 100% Output Current) |
| Efficiency | 92% (50 – 100% Output Current) |

Output

| | |
|---------------------|-----------------|
| DC Output | 48V: 43 – 57.5V |
| Voltage Range | |
| DC Output (maximum) | 1800W @ 48V |

Environmental

| | |
|---------------------------------------------------------------------|-----------------------------------------------|
| Operating Temperature Range | -40°C – +70°C [-40°F – +158°F] |
| Output current is derated above 50°C [122°F] and below -10°C [14°F] | |
| Cooling | Temperature controlled, high reliability fans |

Mechanical

| | |
|------------|-------------------------------------------|
| Dimensions | 3U: 133mm [5.25"], 42mm [1.65"], H,W,D |
| Weight | 266mm [10.45"] overall 1.7kg [3.7 lb] |

Certifications

| | |
|-------------------------|-------------------------------|
| North America | UL, FCC Verification, CSA, IC |
| Europe | CE |
| Australia / New Zealand | C-tick, Telepermit |

In the interests of continual product improvement all specifications are subject to change without notice. Performance ratings are valid with all other variables at Nominal. Specifications guaranteed over rated operating range.



Eaton, CellSure, SiteSure, DCTools and PowerManager are trade names, trademarks, and/or service marks of Eaton Corporation or its subsidiaries and affiliates. All other trademarks are property of their respective owners.

SC200 System Controller



The **Eaton® SC200 System Controller** is an advanced control and monitoring solution for the Eaton Enterprise, Access, Metro and Core Power Solutions.

It provides a full suite of advanced communications options, including built-in Ethernet interface, Web server, and SNMP agent.

Alarm notifications may be by SNMP traps, SMS, dial-out to Power Xpert remote monitoring software, or relay contact closures.

An intelligent new “Smart Alarms” feature provides highly configurable control and alarms for automated site management. Smart Alarms enables improved site performance and reduced site energy consumption. Some examples include disconnection of non essential loads during peak AC grid loading for reduced energy costs, running outdoor cabinets in low noise mode at night, intelligent management of cooling, and customising site alarms to match network requirements.

The SC200 is supplied preconfigured with either a default configuration file, or with one factory customized for a particular application. This ensures fast and problem free installation. If on-site changes are needed then these

can be easily made from the front panel or with a Windows PC using DCTools configuration software.

The front panel incorporates a high-resolution back-lit color LCD display with easy to read characters and easy to use menu system. All system values and alarms can be displayed and the keypad provides easy access to check or edit settings.

The SC200 works with separate system I/O boards for powerful and user-friendly interfacing. Easy and low cost I/O expansion is possible by adding additional I/O boards.

Typical Applications:

- 24V and 48V power systems
- Wireless cell sites and switches
- Transmission terminals
- Local and central office switching

Options:

- External GSM or PSTN modem
- Additional I/O boards for system expansion
- SiteSure-3G modules for site management

Features

- Ethernet interface built-in
- SNMP agent
- Battery mid-point monitoring
- Eaton Fuel Saver
- SMS alarm messages (with GSM modem)
- Comprehensive system control functions
- Color display with user-friendly menus
- Complies with international standards
- Setup via web, keypad or DCTools configuration software
- Language options
- Optional extra I/O boards or SiteSure-3G modules for expansion
- Smart Alarms
- Modbus
- Battery time remaining during discharge



Powering Business Worldwide

Technical Specification

Operation

| | |
|----------------------|--------------------------------------------------------------------------------|
| Supply Voltage Range | 18 to 60Vdc |
| Operating Range | Standard: -10 to +50°C [14 to 122 °F] Extended: -25 to 70°C [-13 to 158 °F] |

Input/Output Standard

| | |
|-----------------------|-----------------------------------------------------------------------------------------------------------------------|
| Analog inputs | Current sensor (3), Bus voltage (1), Temperature (2) |
| Digital inputs | 4 Internal (pre-defined), 6 external (user-defined) |
| LVD contactor outputs | 2 with one IOBGP module Up to 16 with additional IOBGP modules |
| Relay outputs | 6 Voltage free, NO-C-NC, 0.1A @ 60VDC Screwless terminal block, 0.5mm ² - 2.0mm ² conductors |

Communications

Interfaces

| | |
|---------------------|-------------------------------------------------------------------------------------------------------------------------------------------------------------------------------------------------------------------------------|
| Physical | Ethernet, USB and RS232 |
| Software | IP, http, https (secure web), S3P, modbus |
| Management software | DCTools configuration / local management software. Power Xpert remote management software. SNMP version V1, V2c or V3. Supports standard Network Management System software including HP OpenView Network Node Manager. |

User Interface

| | |
|------------|-------------------------------------------------------------------------------------------------------|
| Display | Back-lit color dot matrix LCD 160 x 128 pixel Adjustable viewing angle |
| Keypad | 6 keys |
| Language | English: Standard |
| Options | Spanish, German and Chinese available on request. Other language software upgrades by arrangement. |
| Indicators | Power on, Critical/Major alarm, Minor alarm |

Mechanical

| | |
|------------------|---------------------------------------------------------------------------------------------------------|
| Dimensions H,W,D | SC200: 133.5mm (3U), 44.5mm, 70mm IOBGP: 106mm, 175mm, 18mm |
| Mounting | SC200: rectifier slot or flush panel mount Orientation: vertical or horizontal IOBGP: panel mount |

Datalogging

| | |
|-----------|----------------|
| Event Log | 10,000 records |
| Data Log | 10,000 records |

Options

| | |
|----------------------|-----------------------------------------------------------------------------------------------------|
| Input/Output | With IOBSS module (SiteSure-3G): Analog inputs: 48 Digital inputs: 108 Digital outputs: 32 |
| Modem communications | PSTN or GSM. Requires external modem. |

Certifications

| | |
|-------------------------|--------------------------|
| China | MII |
| North America | UL, FCC Verification, IC |
| Europe | CE |
| Australia / New Zealand | C-tick |

In the interests of continual product improvement all specifications are subject to change without notice.



SC100 System Controller



The **Eaton® SC100 System Controller** is a control and monitoring solution for the Eaton 3G power solutions.

It provides a full suite of system control functions including Temperature Compensation, Equalize and Fast Charge.

A comprehensive range of alarms and alarm notification options are available, including SMS, relay contacts and modem dial out to Power Xpert.

The SC100 is supplied preconfigured with either a default configuration file, or with one factory customized for a particular application. This ensures fast and problem free installation.

If on-site changes are needed then these can be easily made from the front panel or with a Windows PC using DCTools configuration software.

The front panel incorporates a high-resolution back-lit LCD display with easy to read characters and easy to use menu system.

All system values and alarms can be displayed and the keypad provides easy access to check or edit settings.

The SC100 works with a separate system I/O board for powerful and user-friendly interfacing.

Typical Applications:

- 24V and 48V power systems
- Wireless cell sites and switches
- Transmission terminals

Options:

- External GSM or PSTN modem

Features

- Comprehensive system control functions
- Supports PSTN and GSM external modems
- User-friendly menus
- Pre-loaded customized configuration file
- Complies with international standards
- Setup via DCTools configuration software
- Language options
- Low cost



Powering Business Worldwide

Technical Specification

Operation

| | |
|----------------------|------------------------------|
| Supply Voltage Range | 19 to 60Vdc |
| Operating Range | -10 to +70 °C [14 to 158 °F] |

Input/Output with IOBGP-00

| | |
|-----------------------|--------------------------------------------------------------------------------------------------------------------|
| Analog inputs | Current sensor (3), Bus voltage (1), Temperature (2) |
| Digital inputs | 4 Internal (pre-defined), 6 external (user-defined) |
| LVD contactor outputs | 2 |
| Relay outputs | 6 Voltage free, NO-C-NC, 0.5A @ 100VDC Screw terminal block, 0.5mm ² - 2.0mm ² conductors |

Communications

Interfaces

| | |
|---------------------|-----------------------------------------------------------------------------------------------|
| Physical | RS232 |
| Software | S3P, MII |
| Management software | DCTools configuration / local management software. Power Xpert remote management software. |

User Interface

| | |
|------------|---------------------------------------------------------------------|
| Display | Back-lit dot matrix LCD 128 x 128 pixel Adjustable viewing angle |
| Keypad | 4 keys |
| Language | English: Standard |
| Options | Other languages by arrangement. |
| Indicators | Power on, Critical/major alarm, Minor alarm |

Mechanical

| | |
|------------|---------------------------------------------------------------------------------------------------------|
| Dimensions | SC100: 133.5mm (3U), 44.5mm, 60mm |
| H,W,D | IOBGP: 106mm, 175mm, 18mm |
| Mounting | SC100: rectifier slot or flush panel mount Orientation: vertical or horizontal IOBGP: panel mount |

Datalogging

| | |
|-----------|-------------|
| Event Log | 100 records |
|-----------|-------------|

Options

| | |
|----------------------|---------------------------------------|
| Modem communications | PSTN or GSM. Requires external modem. |
|----------------------|---------------------------------------|

Certifications

| | |
|-------------------------|----------------------|
| China | MII |
| North America | FCC Verification, IC |
| Europe | CE |
| Australia / New Zealand | C-tick |

In the interests of continual product improvement all specifications are subject to change without notice.



SM45 Supervisory Module



Features

- Ethernet interface built-in
- SNMP agent
- Web server
- Supports PSTN and GSM external modems
- SMS alarm messages (with GSM modem)
- Temperature compensation
- Serial control of up to 24 rectifiers
- Controls up to two Low Voltage Disconnects (LVD)
- Battery current limiting
- Setup via keypad or DCTools configuration software
- Compliance with international standards
- Data Logging
- 3-phase AC metering option
- Language options

The SM45 supervisory module is an advanced control and monitoring solution for the Eaton Access Power Solutions range on DC power solutions.

It provides a full suite of advanced communications options, including built-in Ethernet interface, Web server, and SNMP agent.

Alarm notifications may be by SNMP traps, SMS, dial-out to Power Xpert remote monitoring software, or relay contact closures.

The SM45 can also be re-configured on-site using the Windows compatible DCTools configuration software via the front panel RS232 communication port or remotely via Ethernet.

The SM45 supervisory module provides full control of system voltage, load current, status and alarms, which can be displayed and changed on the optional LCD display and keypad.



Powering Business Worldwide

Technical Specification

Brief Technical Specifications

| | |
|--------------------------|---------------------------------------------------------------------------------------------------------------------------------------------------------------------------------------------------------------------------------------------------------------------------------------------------------------|
| Supply Voltage Range | 18 to 60Vdc |
| Operating Range | Standard: -10 to +50°C [14 to 122 °F] Extended: -25 to 70°C [-13 to 158 °F] |
| Input/Output Standard | Analog inputs: Current sensor/shunt (2), Bus voltage (1), Temperature: (2) Digital inputs: 9 internal (pre-defined), 6 external (user-defined) Relay outputs: Up to 6 open-collectors. Relays fitted on system backplane or interface PCB. |
| Communication Interfaces | Physical: Ethernet and RS232. Software: IP, http (Web) and SNMP, S3P. Management software: DCTools configuration / local management software. Power Xpert remote management software. SNMP agent supports standard network management system software including HP OpenView Network Node Manager. |
| Indicators | Power on Urgent alarm Non-Urgent alarm |
| Data Logging | 10,000 record event log 10,000 record data log |

Options

| | |
|------------------------------------|------------------------------------------------------------------------------------------------------------------------------------------------------------|
| Display and Keypad | Display: Back-lit dot matrix LCD Keypad: Membrane type, 5 keys |
| Languages | English: Standard Chinese: Chinese language software upgrade available on request. Other languages: Other language software upgrades by arrangement. |
| Input/Output with SiteSure Modules | Analog inputs: 48 Digital inputs: 108 Digital outputs: 32 |
| CellWatch | Full support for communications and alarms from CellWatch battery monitoring and fault diagnosis systems |
| Modem Communications | PSTN or GSM. Requires external modem. |
| AC Metering | 3-phase voltage and frequency measurement and alarms. Requires external AC meter. |

In the interests of continual product improvement all specifications are subject to change without notice.



SM65 Supervisory Module Panel Mount Version



The SM65 supervisory module is an advanced control and monitoring solution for the Eaton Access, Network and Large Power Solutions. It provides a full suite of advanced communications options, including built-in Ethernet interface, Web server, and SNMP agent.

Alarm notifications may be by SNMP traps, SMS, dial-out to Power Xpert remote monitoring software, or relay contact closures.

Like all Eaton DC supervisory modules the SM65 is supplied pre-configured with either a default configuration file or with one factory customized for a particular application. This ensures fast and problem free installation. If on-site changes are needed then these can be easily made from the front panel or with a Windows PC using DCTools configuration software.

The optional keypad and display module incorporates alarm LEDs and a high-resolution back-lit LCD display with easy to read characters.

All system values and alarms can be displayed and the keypad provides easy access to check or edit settings.

Typical Applications

- 24V and 48V power systems
- Wireless cell sites and switches
- Transmission terminals
- Local and central office switching

Features

- Ethernet interface built-in
- SNMP agent
- Supports PSTN and GSM external modems
- SMS alarm messages (with GSM modem)
- Comprehensive system control functions
- Simplified front panel controls
- Pre-loaded customized configuration file
- Complies with international standards
- Setup via keypad or DCTools configuration software
- 3-phase AC metering option
- Language options



Powering Business Worldwide

Technical Specification

Brief Technical Specifications

| | |
|--------------------------|---------------------------------------------------------------------------------------------------------------------------------------------------------------------------------------------------------------------------------------------------------------------------------------------------------------|
| Supply Voltage Range | 19 to 60V DC |
| Operating Range | -10 to +60 °C [14 to 140 °F] |
| Input/Output Standard | Analog inputs: Current sensor (3), Bus voltage (1), Temperature: (2) Digital inputs: 10 internal (pre-defined), 6 external (user-defined) Relay outputs: 6 Voltage free, NO-C-NC, 0.5A @ 100VDC Screw terminal block, 1.5mm ² conductors |
| Communication Interfaces | Physical: Ethernet and RS232. Software: IP, http (Web) and SNMP, S3P. Management software: DCTools configuration / local management software. Power Xpert remote management software. SNMP agent supports standard network management system software including HP OpenView Network Node Manager. |
| Indicators | Power on Urgent alarm Non-Urgent alarm |
| Dimensions H,W,D | 43mm, 360mm, 156mm |
| Data Logging | 10,000 record event log 10,000 record data log |

Options

| | |
|------------------------------------|------------------------------------------------------------------------------------------------------------------------------------------------------------|
| Display and Keypad | Display: Back-lit dot matrix LCD Keypad: Membrane type, 5 keys |
| Languages | English: Standard Chinese: Chinese language software upgrade available on request. Other languages: Other language software upgrades by arrangement. |
| Input/Output with SiteSure Modules | Analog inputs: 48 Digital inputs: 108 Digital outputs: 32 |
| CellWatch | Full support for communications and alarms from CellWatch battery monitoring and fault diagnosis systems |
| Modem Communications | PSTN or GSM. Requires external modem. |
| AC Metering | 3-phase voltage and frequency measurement and alarms. Requires external AC meter. |

Certifications

All products comply with international standards. Contact your local Eaton DC representative for details on the specific product versions available with these safety and EMC approvals:

| | |
|-------------------------|----------------------------------------|
| China | MII |
| North America | UL (Canada, USA), FCC Verification, IC |
| Europe | CE |
| Australia / New Zealand | C-tick |

In the interests of continual product improvement all specifications are subject to change without notice.



SiteSure™



Features

- Modular
- DIN Rail Mounted
- Plug-in Connectors
- Remote Control and Monitoring
- Real Time Data Collection
- Compliance with International Standards

SiteSure is a suite of add-on modules to provide control and monitoring of a wide range of external devices. It uses the communications capability of an Eaton DC power system to monitor and control security, air conditioning, engine alternators and other building services, or sense DC currents for load metering.

The SiteSure modules can be added as required to provide the number of inputs and outputs needed for a particular application.

SiteSure modules can be remotely controlled and configured using the Power Xpert remote control and monitoring software or with DCTools.

The SiteSure range of modules includes:

SiteSure General Purpose Modules (SSGP) allows the collection of status information at the telecommunications site via configurable digital and analog inputs.

SiteSure Digital Input Modules (SSDI) provides additional digital inputs.

SiteSure Digital Output Module (SSDO) provides relay outputs for local control or alarm indication.

Auxiliary Power Module (APM) provides additional power for larger installations or where sensors require DC power.

Current Input Module (IOMCS) provides configurable current sensor inputs.

Technical Specification

| | |
|-----------------------|----------------------------------|
| Supply Voltage Range | 18 – 70V |
| Rated Operating Range | -10°C to +80°C [+14°F to +176°F] |

Input/Output

| | |
|------------------|---------------------------------------------------------------------------------------------------------------------|
| SSGP | Digital Inputs: 6 (2 configurable as frequency inputs) Analog Inputs: 6 (2 configurable as temperature sensors) |
| IOM-CS | Current Inputs: 6 Temperature Input: 1 Digital Input: 1 |
| SSDI | Digital Inputs: 12 |
| SSDO | Digital Outputs: 8 |
| APM | 2 Outputs: 1: 12V, 500mA auxiliary 12V supply for third party equipment 2: 9V, 400mA supply for RCP bus extender |
| Dimensions H,W,D | All modules except APM 80mm [3.15"], 27mm [1.06"], 65mm [2.60"] APM 80mm [3.15"], 54mm [2.13"], 65mm [2.60"] |

Certifications

All products comply with international standards. Contact your local Eaton DC representative for details on the specific product versions available with these safety and EMC approvals:

| | |
|----------------------------|----------------------------------------|
| North America | UL (USA, Canada), FCC Verification, IC |
| Europe | CE |
| Australia / New Zealand | C-tick |

In the interests of continual product improvement all specifications are subject to change without notice.



Eaton, CellSure, SiteSure, DCTools and Power Xpert are trade names, trademarks, and/or service marks of Eaton Corporation or its subsidiaries and affiliates. All other trademarks are property of their respective owners.

Technical Specification

Operation

| | |
|-----------------------|----------------------------------|
| Supply Voltage Range | 19 to 60V |
| Rated Operating Range | -10°C to +80°C [+14°F to +176°F] |

Input/Output

| | | |
|-------------------------------|---------|-----------------------------------------------------------------|
| Bus voltage input | Number: | 1 |
| | Range: | -60V to +60V |
| Current inputs | Number: | 3 |
| | Range: | -50mV to +50mV |
| Temperature inputs | Number: | 2 |
| | Range: | 2.53V to 3.23V (-20°C to +70°C with TS02 temperature sensor) |
| Digital inputs | Number: | 10 |
| General purpose analog inputs | Number: | 4 |
| | Range: | 0V to +10V |
| Digital Outputs (Relays) | Number: | 6 |
| | Type: | Voltage free, NO-C-NC 0.3A @ 60VDC / 1A @ 30VDC |

Certifications

All products comply with international standards. Contact your local Eaton DC representative for details on the specific product versions available with these safety and EMC approvals:

| | |
|-------------------------|--------------------------|
| North America | UL, FCC Verification, IC |
| Europe | CE |
| Australia / New Zealand | C-tick |

In the interests of continual product improvement all specifications are subject to change without notice.



Eaton, CellSure, SiteSure, DCTools and Power Xpert are trade names, trademarks, and/or service marks of Eaton Corporation or its subsidiaries and affiliates. All other trademarks are property of their respective owners.

RM3-300 Series Rectifier Magazine



Features

- 48V or 24V
- 19-inch cabinet mounting
- Compact 1U height, 150A output
- Suitable for Enterprise and Access 3G power rectifiers including Energy Saver Rectifier
- Independent AC input to each rectifier
- Compliance with international standard



The Eaton RM3-300 rectifier magazine is a versatile and compact 1U high, 19-inch modular power shelf. It can accommodate both the Enterprise and Access series of Eaton 3G and Energy Saver (ES) rectifiers and can be configured for up to 3 rectifiers or, 2 rectifiers and a system controller.

The RM3-300 series has an output capacity of up to 150A (actual output is dependent on the rectifier model fitted). Both the top-entry AC cords and air exhaust airflow allow the RM3 to mount in limited depth of space applications.

The DC output is via a field wiring termination box to provide an easily accessed connection (take-off) point for flexible cables.

Independent AC supply to each rectifier position is via plug & cord sets where country and voltage specific sets are available upon request.

The RM3-300 series is suitable for both 600mm and 300mm deep cabinets and includes mounting brackets that can be moved along the chassis to provide a wide range of mounting position options.



Powering Business Worldwide

Technical Specifications

Brief Technical Specifications

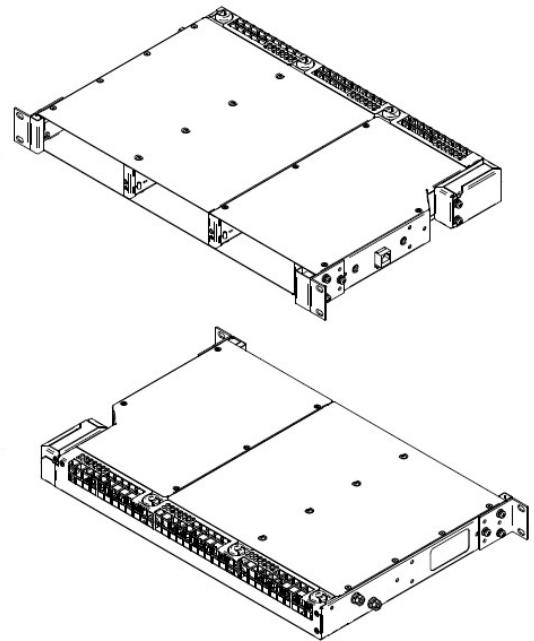
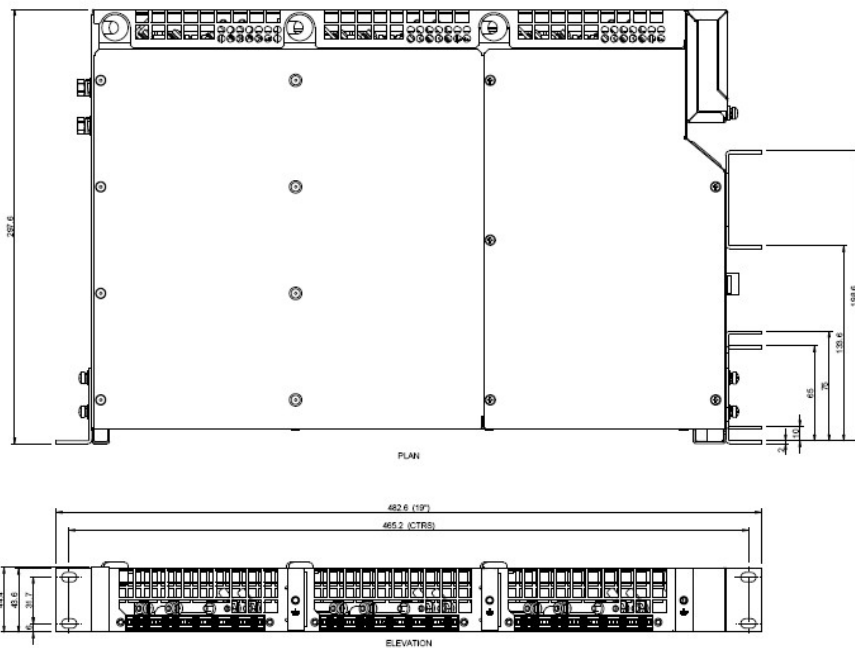
| | |
|---------------------|-------------------------------------------------------------------------------------------------------------------------------------------------------------------------|
| AC Supply | 1Ø or 2Ø via individual cord sets |
| DC Output | 24V: up to 150A 48V: up to 125A (dependent on rectifiers fitted) Interconnecting busbars with flexible cable take-off (field wire-able). |
| Dimensions H,W,D | Standard: 1U*, 19", 298mm [11.7"] *Additional clear space is required for exhaust air and top AC cable entry at the rear. |
| Weight | 3.9kg [8.6lb] including AC cable sets. |
| Rectifier | 3 x EPR48-3G / APR48-3G / APR24-3G / APR48-ES |
| Configurations | 2 x EPR48-3G / APR48-3G / APR24-3G / APR48-ES plus system controller |
| Options | Rectifier cover for unused rectifier positions (RM3B-A01). AC cord sets - country/voltage specific. 23" mounting brackets. |
| Versions | RM3-300 series (3 rectifiers, no system controller) RM3-310 series (2 rectifiers, SC100 system controller) RM3-320 series (2 rectifiers, SC200 system controller) |

Certifications

All products comply with international standards. Contact your local Eaton DC representative for details on the specific product versions available with these safety and EMC approvals:

Europe CE

In the interests of continual product improvement all specifications are subject to change without notice.



Eaton, CellSure, SiteSure, DCTools and PowerManager are trade names, trademarks, and/or service marks of Eaton Corporation or its subsidiaries and affiliates. All other trademarks are property of their respective owners.

RM3-400 Series Rectifier Magazine



Features

- 48V or 24V
- 19-inch relay rack or cabinet mounting
- Compact 1U height, 150A output
- Suitable for Enterprise and Access 3G power rectifiers including the Energy Saver Rectifier
- Independent AC input to each rectifier
- Compliance with international standards



The Eaton RM3-400 rectifier magazine is a versatile and compact 1U high, 19-inch module designed to UL specifications. Its can accommodate both the Enterprise and Access series of Eaton 3G and Energy Saver (ES) rectifiers and can be configured for up to 3 rectifiers or, 2 rectifiers and a system controller.

It has an output capacity of up to 150A (actual output is dependent on the rectifier model) however, the front-to-back airflow allows two RM3 magazines to be stacked for higher capacity solutions.

The DC output is via a field wiring termination box to provide an easily accessed connection (take-off) point for flexible cables.

Independent AC supply to each rectifier position is via either plug & cord sets or IEC plugs where country and voltage specific sets are available upon request.

The RM3-400 series is suitable for both cabinet and relay rack mounting. The mounting brackets can be moved along the chassis to provide a wide range of mounting position options.

The RM3-400 series is an ideal solution to supply front end power to customer equipment or as a building block for integrated systems in custom applications.



Powering Business Worldwide

Technical Specifications

Brief Technical Specifications

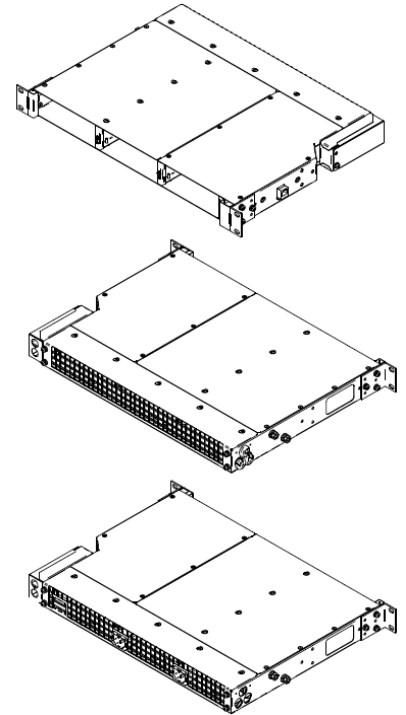
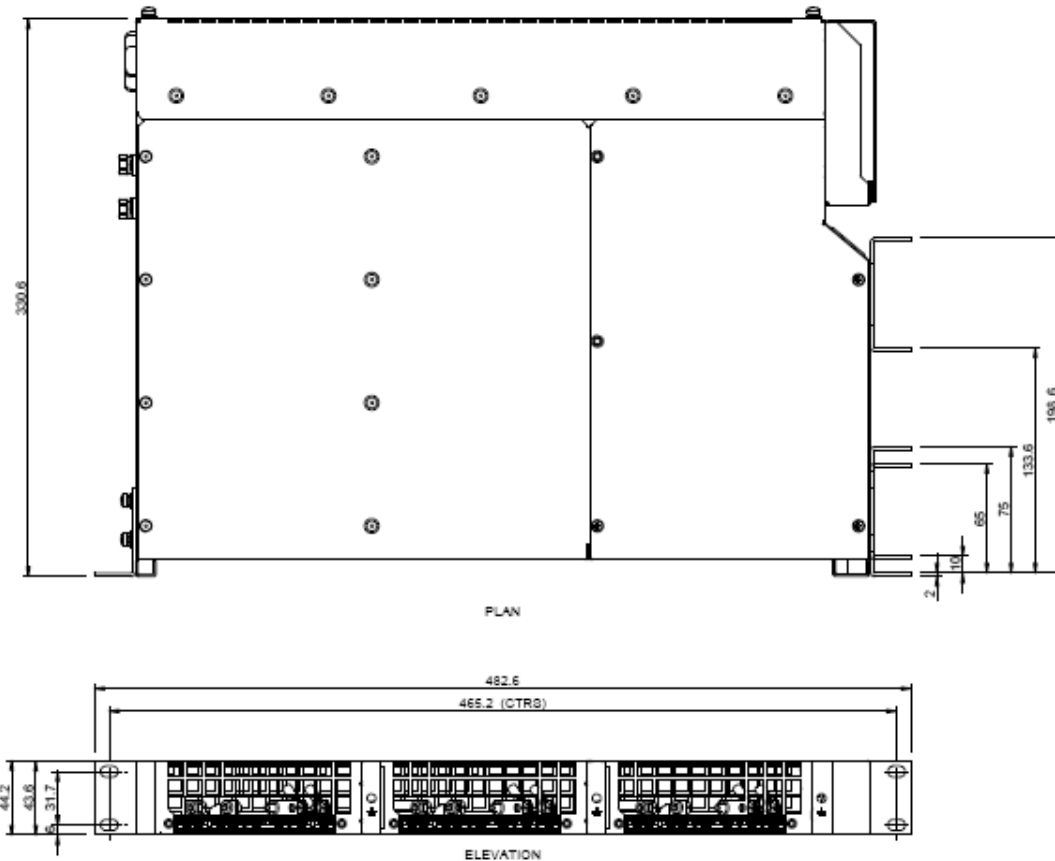
| | |
|--------------------------|-------------------------------------------------------------------------------------------------------------------------------------------------------------------------|
| AC Supply | 1Ø or 2Ø via individual cord sets |
| DC Output | 24V: up to 150A 48V: up to 125A (dependent on rectifiers fitted) Interconnecting busbars with flexible cable take-off (field wireable). |
| Dimensions H,W,D | Standard: 1U, 19", 335mm [13.2 "]* *Additional clear space is required for exhaust air. |
| Weight | 3.9kg [8.6lb] including AC cable sets. |
| Rectifier Configurations | 3 x EPR48-3G / APR48-3G / APR24-3G / APR48-ES 2 x EPR48-3G / APR48-3G / APR24-3G / APR48-ES plus system controller |
| Options | Rectifier cover for unused rectifier positions (RM3B-A01) AC cord sets - country/voltage specific 23" mounting brackets |
| Versions | RM3-400 series (3 rectifiers, no system controller) RM3-410 series (2 rectifiers, SC100 system controller) RM3-420 series (2 rectifiers, SC200 system controller) |

Certifications

All products comply with international standards. Contact your local Eaton DC representative for details on the specific product versions available with these safety and EMC approvals:

Europe CE
North America UL (recognized)

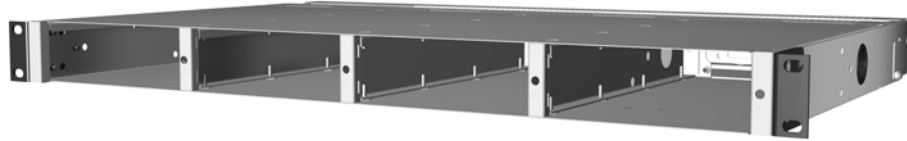
In the interests of continual product improvement all specifications are subject to change without notice.



Eaton, CellSure, SiteSure, DCTools and PowerManager are trade names, trademarks, and/or service marks of Eaton Corporation or its subsidiaries and affiliates. All other trademarks are property of their respective owners.

© 2009 Eaton Corporation
All Rights Reserved
RM3-400 C

RM4-400 Series Rectifier Magazine



Features

- 48V or 24V
- 23" relay-rack or cabinet mounting
- Compact 1U height, 200A output
- Suitable for Enterprise and Access 3G and Energy Saver (ES) power rectifiers
- Fast on-line expansion of rectifiers (hot-swap)
- Single or two-phase AC input
- Compliance with international standards



The Eaton RM4-400 series rectifier magazine is a versatile and compact 1U high, 23-inch module that is designed to UL specifications. It can accommodate both the Enterprise and Access series of Eaton 3G and Energy Saver (ES) rectifiers and can be fitted with up to four rectifiers or three rectifiers and a system controller.

It has an output capacity of up to 200A (actual output is dependent on the rectifier model), however the front-to-back airflow allows two RM4 magazines to be stacked for higher capacity solutions.

The DC output is via a field wiring termination box to provide an easily accessed connection (take-off) point for flexible cables.

AC supply is via two flexible cords (one cord per two rectifier positions) and is suitable for both single-phase and two-phase AC supply applications.

The RM4-400 series is suitable for both enclosed cabinet and open frame relay-rack mounting. The mounting brackets can be moved along the chassis to provide a wide range of mounting position options.

The RM4-400 series is an ideal solution to supply front end 48V power to customer equipment or as a building block for integrated systems in custom applications.

Technical Specification

| | |
|--------------------------|----------------------------------------------------------------------------------------------------------------------------------------------------------|
| AC Supply | 1Ø or 2Ø via two flexible cords (2 rectifiers per cord) |
| DC Output | 48V: Up to 166A (dependant upon rectifiers fitted) 24V: Up to 200A Internal interconnecting bus bars with flexible cable take-off (field wireable) |
| Dimensions (H,W,D) | 1U, 23" mounting, 436mm [17.2inch]* *Additional clear space is required for exhaust air |
| Output | 4.1kg [9lb] |
| Rectifier Configurations | 4 x EPR48-3G / APR48-3G / APR24-3G / APR48-ES or 3 x EPR48-3G / APR48-3G / APR24-3G / APR48-ES plus system controller (SC100 or SC200) |

Options

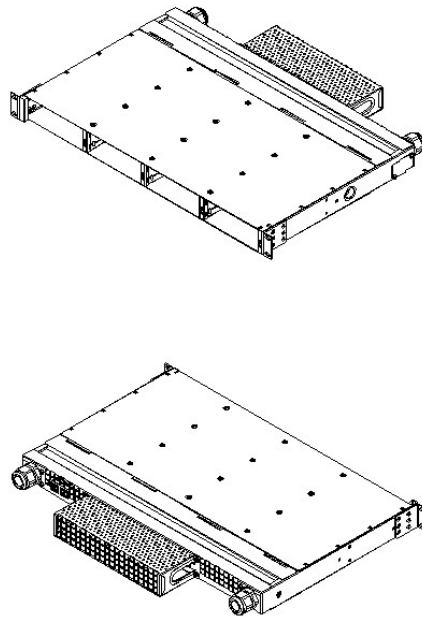
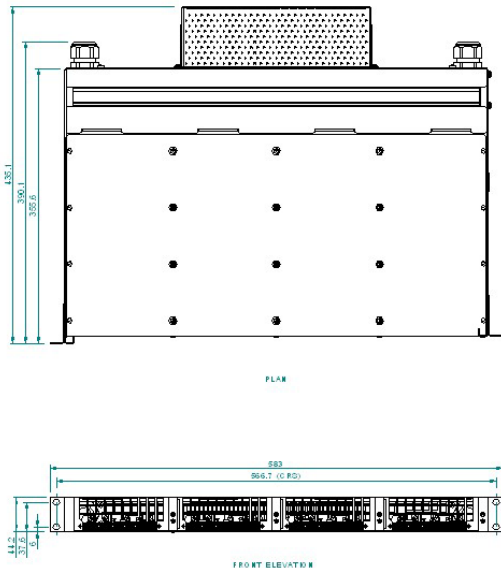
| | |
|------------------------|-------------------------------------------------------------------------------------|
| Rectifier Blank Panels | RM3B-A01 |
| System Controllers | SC200-00 (feature enhanced system controller) SC100-00 (basic system controller) |

Certifications

All products comply with international standards.

| | |
|------------------------|-------------------------------|
| North America | UL, FCC Verification, CSA, IC |
| Europe | CE |
| Australia /New Zealand | C-tick, Telepermit |

In the interests of continual product improvement all specifications are subject to change without notice.



Eaton, CellSure, SiteSure, DCTools and PowerManager are trade names, trademarks, and/or service marks of Eaton Corporation or its subsidiaries and affiliates. All other trademarks are property of their respective owners.

3G DC Distribution Module - DCD1M Series



Features

- 1U High
- 19" rack mounting
- Battery & load circuits
- Easy to fit push-in circuit breakers
- Optional low voltage disconnect
- Integrated current sensor
- Cabinet or relay rack mounting

The Eaton 3G DCD1M Series of DC Distribution Module is a 1U high, 19" rack mount 48V DC distribution module, an ideal solution for converged data networks and low power telecommunications applications requiring compact, efficient and flexible DC power supplies.

The DCD1M series is available with up to two battery circuits and 10 individual load circuits. It may be used with either the Eaton 3G series of secure DC power systems or as 'standalone' for use with 3rd party equipment.

The high interrupt rating of the battery circuit breakers make the DCD1M series suitable for use as a primary protection module with a wide range of batteries.

This module features front access, easy to fit, push-in circuit breakers for ease of installation and servicing in the field.

The DCD1M is available with an optional low voltage disconnect contactor to prevent over discharging of backup batteries, an onboard current sensor and MCB trip detection monitoring for use with the Eaton 3G series of secure DC power systems.

Typical applications include providing DC distribution for customer premises equipment, roadside cabinets, converged VoIP/data networks, IP routers and small PABX's.



Powering Business Worldwide

Technical Specification

| | |
|--------------------|----------------------------------|
| DC Voltage Range | 48V (nominal) 43V - 58V |
| DC Power (maximum) | 4080W (85A @ 48V) |
| Efficiency | 92% (50 – 100% Output Current) † |

Output

| | |
|-----------------------------|--------------------------------------------------------------------------------------------------------------------------------------------------------------------------------------------------------------------------------------------------------------------------------------------------------------------------------------------------------------|
| DC Output Voltage Range | 20V – 58V |
| DC Distribution Circuits | 12-way circuit breakers (2 x Battery, 10 x Load) Circuit breaker type: magnetic/hydraulic, push fit type Battery circuit breakers: Heinemann AC1R Series Typical ranges available: 40A, 50A, 60A Interrupt rating: 5000A Load circuit breakers: Heinemann JC1S Series Typical ranges available: 5A, 10A, 20A, 30A(max) |
| DC Circuit Connections | Load: 10way terminal barrier strips (screw terminals, max 10AWG/4mm ² cable) Battery: Anderson Powerpole, PP45 (max 10AWG/4mm ² cable) |
| Polarity /Grounding | Positive ground or floating (in-field selectable) |
| Operating Temperature Range | -10°C to +50°C [14°F to +122°F] |
| Dimensions H,W,D | 1U , 19" mounting*, 11" [280mm]** * Optional 23" mounting brackets available ** Additional access space is required see installation guide for details. |
| Weight | DCD1M-00 4.1kg [9.1lb] DCD1M-01 4.4kg [9.8lb] |
| System Controller | Compatible with SC200 & SC100 based systems (when LVD included, onboard current sensor and MCB trip detection features required) |

Optional

| | |
|--------------------------------|---------------------------------------------------------------------------------------------------------------------------|
| Low Voltage Disconnect (LVD) | Battery disconnect: 100A internal contactor |
| Load Circuit Cable | CKLOAD-00 10sets, 1500mm long, 10AWG/4mm ² |
| Battery Input Connection Cable | CKBATT-00 2000mm long, for connection to Powerware EBM module CKBATT-01 2000mm long, for connection to generic battery |
| 23" rack mounting brackets | 621-04998-29 23" mounting bracket (2 required) |
| Rectifier Blank Panels | For unused rectifier positions |

Part Numbers

| | |
|----------|------------------------------------------------------------------------------------------------------|
| DCD1M-00 | 1U, 19" rack mount DCD distribution module. |
| DCD1M-01 | 1U, 19" rack mount DCD distribution module. c/w low voltage disconnect and onboard current sensor |

Certifications

All products comply with international standards.

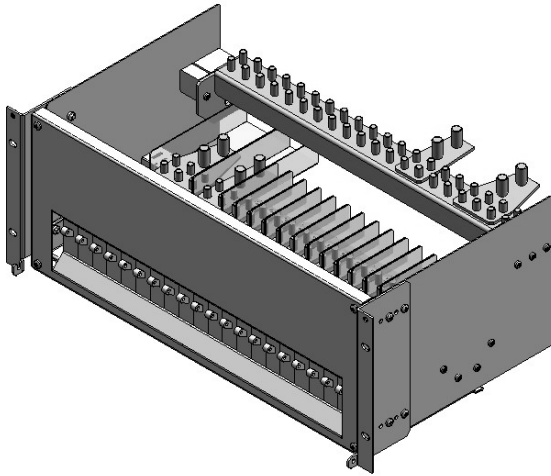
| | |
|---------------|------------------|
| North America | UL (Canada, USA) |
| Europe | CE |

In the interests of continual product improvement all specifications are subject to change without notice.



Eaton, CellSure, SiteSure, DCTools and PowerManager are trade names, trademarks, and/or service marks of Eaton Corporation or its subsidiaries and affiliates. All other trademarks are property of their respective owners.

DCM2000 - DC Distribution Module



The DCM2000 DC distribution provides circuit protection for a wide selection of telecommunications loads up to 250A per circuit and 800A per distribution. All circuit breakers are alarmed through auxiliary contacts providing voltage-free alarm signals. The DCM2000 is designed to comply with recognized international standards and for complete operator safety. Full front access is provided to allow easy termination of load cables in either vertical or horizontal cable entry.

Features

- 4U Module
- Up to 20 bullet terminal breakers
- Selection of MCB ratings to 250A
- Tool access front cover
- Front access for cable termination
- Circuit breaker trip alarms
- Compliance with international standards



Powering Business Worldwide

Technical Specification

Brief Technical Specifications

| | |
|--------------------------------------|----------------------------------------------------------------------------|
| Voltage Range | 20 – 70Vdc |
| Maximum Current | 800A @ 50°C [122°F], (CE) 600A @ 40°C [104°F], (UL) |
| CB Type | Heinemann AM1R or AMA1P |
| CB Current Ratings | Single Pole: 10A, 20A, 30A, 40A, 50A, 60A, 70A, 80A, 100 ^ø |
| (Other ratings available on request) | Multi Position: 150A (2P), 200A (2P) , 250A (3P) |
| Load Cable Termination | Two hole lug, vertical or horizontal cable entry |
| Alarms | MCB Aux contacts. |
| Operating Temperature Range | -10°C — +50°C [+14°F — +122°F] (CE) -10°C — +40°C [+14°F — +104°F] (UL) |
| Dimensions H,W,D | 4U: 177mm [12.25"], 480mm [19" mounting], 300mm [12"] |

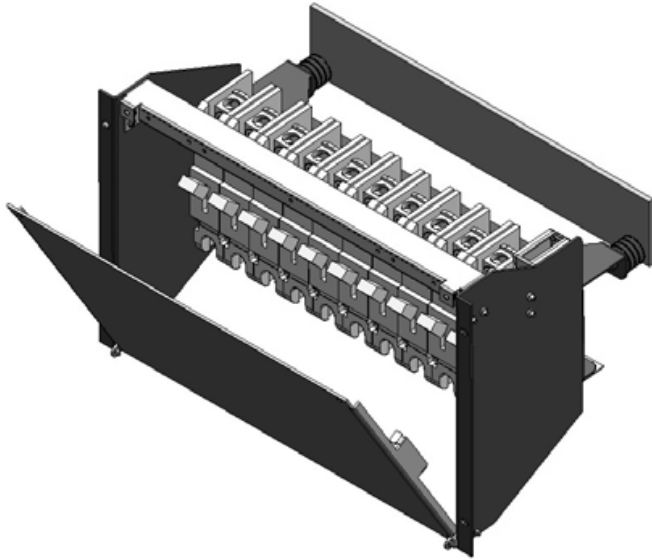
| | | |
|----------------|----------------|-----------------------------------|
| Certifications | Europe: | CE |
| | North America: | UL60950 pending UL1801 pending |



Eaton, CellSure, SiteSure, DCTools and PowerManager are trade names, trademarks, and/or service marks of Eaton Corporation or its subsidiaries and affiliates. All other trademarks are property of their respective owners.

DCB1000

MCCB Distribution Module



The DCB1000 DC distribution provides circuit protection for a wide selection of telecommunications loads up to 1200A per distribution. All MCCBs are alarmed with automatic detection of load current to prevent false alarms from unused circuits. The DCB1000 is designed to comply with recognized international standards and for complete operator safety. Full front access is provided to allow easy termination of load cable.

Features

- 7U module
- Up to 10, 250A circuit breakers
- Selection of MCCB ratings to 400A
- Tool access front cover
- Front access for cable termination
- MCCB alarms with load detection
- Compliance with international standards



Powering Business Worldwide

Technical Specification

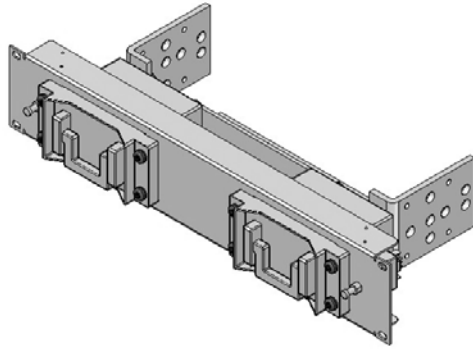
Brief Technical Specifications

| | |
|-----------------------------|-------------------------------------------------------------------------------------------------------------------------------------------------------------|
| Voltage Range | 20 – 70Vdc |
| Maximum Current | 1200A @ 50°C [122°F] |
| MCCB Type | Heinemann GJ1 or Airpax JLM |
| MCCB Current Ratings | Single Pole: 100A, 125A, 150A, 175A, 200A, 225A, 250A Multi Pole: 275A, 300A, 350A, 400A, 450A, 500A, 550A, 600A, 700A, 800A, 900A, 1000A, 1100A, 1200A. |
| Load Cable Termination | Load termination is direct onto MCCB. Specify requirements when ordering MCCB's. |
| Alarms | Electronic type with load detection |
| Operating Temperature Range | -10°C — +50°C [+14°F — +122°F] |
| Dimensions H,W,D | 7U: 177mm [12.25"], 480mm [19" mounting], 300mm [12"] |
| Certifications | North America: UL60950 pending UL1801 pending |

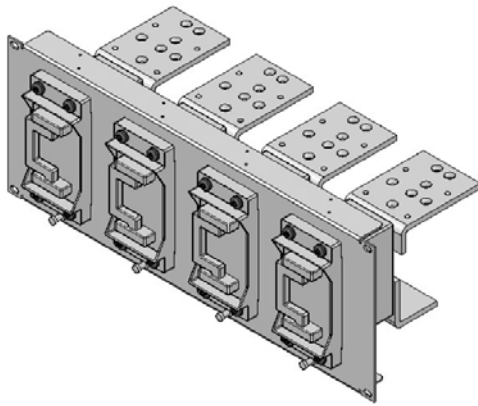


Eaton, CellSure, SiteSure, DCTools and PowerManager are trade names, trademarks, and/or service marks of Eaton Corporation or its subsidiaries and affiliates. All other trademarks are property of their respective owners.

DCF0208 and DCF0408 Fuse Distributions Modules



The DCF0208 and DCF0408 DC fuse distributions provide circuit protection for a wide selection of telecommunications loads requiring up to 800A fuse protection. All Fuses are alarmed and provide volts free alarm contacts through shunt trip circuit breakers. The DCF0208 and DCF0408 are designed to comply with recognized international standards and for complete operator safety.



Features

- 19" rack mount
- 2U or 4U module
- 2 or 4 telpower fuse holders
- Selection of fuse ratings up to 800A
- Volts free fuse fail alarms
- Compliance with international standards



Powering Business Worldwide

Technical Specification

Brief Technical Specifications

| | |
|-----------------------------|---------------------------------------------------------------------------------------------------------|
| Voltage Range | 20 – 70Vdc |
| Maximum Current | 640A @ 40°C [102°F] per fuse |
| Fuse Type | Bussmann TPL |
| Fuse Current Ratings | 250A, 300A, 350A, 400A, 450A, 500A, 600A, 700A, 800A |
| Load Cable Termination | Two hole lugs onto output busbar |
| Alarms | Voltage free contacts |
| Operating Temperature Range | -10°C — +40°C [+14°F — +104°F] (UL) |
| Dimensions H,W,D | 2U: 88mm [3.5"], 480mm [19" mounting], 200mm [8"] 4U: 177mm [7.0"], 480mm [19" mounting], 200mm [8"] |

| | | |
|-----------------------|----------------|-----------------|
| Certifications | Europe: | CE |
| | North America: | UL60950 pending |
| | | UL1801 pending |



Eaton, CellSure, SiteSure, DCTools and PowerManager are trade names, trademarks, and/or service marks of Eaton Corporation or its subsidiaries and affiliates. All other trademarks are property of their respective owners.

SMARTER ENERGY SOLUTIONS



Eaton, Matrix, CellSure, SiteSure, DCTools and PowerManager are trade names, trademarks, and/or service marks of Eaton Corporation or its subsidiaries and affiliates. All other trademarks are property of their respective owners.

© 2010 Eaton Corporation.
All Rights reserved.

Eaton Corporation
Telecommunications Power Solutions Business
dc.info@eaton.com
www.eaton.com/dcpower

DC Technical Support:
DCPowerTS@eaton.com
Ph 800-843-9433 (opt. 2 : opt. 6)

