

UL 924a

General

Emergency Lighting Inverters, listed under UL 924 for Emergency Lighting and Power Equipment, are supplied with 90 minutes of battery back up. However, when used together with a healthcare facility's standby emergency power generator,

Emergency Lighting Inverters supplied with 10 to 15 minutes of battery may be used, if listed under UL 924 for Lighting and Power Equipment, Auxiliary (power supplies). This UL listing is often referred to as UL924a. Providing a UL 924a listed

system with 10 to 15 minutes of battery back up is a cost effective way to be code compliant and eliminate the 8-10 seconds of darkness associated with the transfer to a standby emergency power generator.

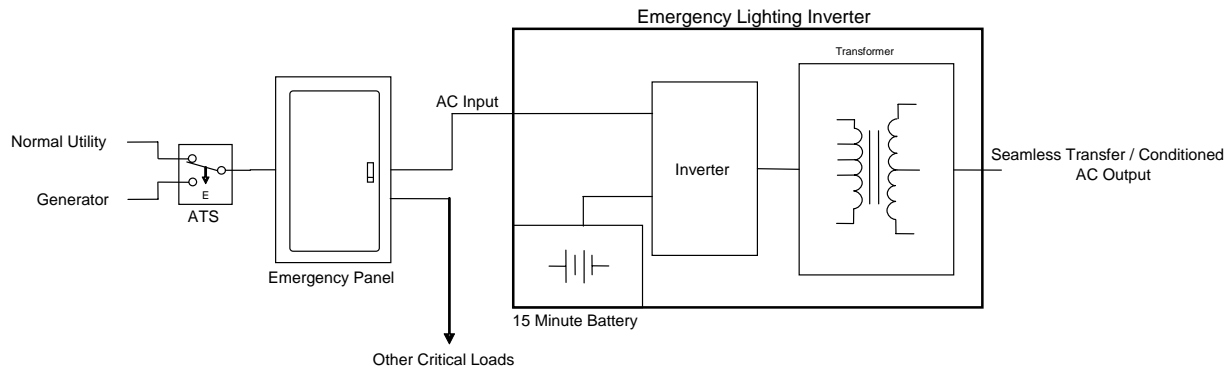
The eLITE ELE & UltraLITE

The eLITE ELE and UltraLITE systems have been UL listed to both UL 924 and 924a

standards. Both inverter systems provide peace of mind because they maintain all the

self testing and logging features required by NFPA.

Operating Room - Emergency Room - Cath Lab - Plastic Surgery - Delivery Room



Summary

Critical care areas within a hospital or healthcare facility simply can not afford to be in the dark, even for a matter of seconds. The UL 924a listed eLITE ELE and UltraLITE inverter systems are a perfect complement to

generator based emergency egress lighting. Typically, the inverter will be fed from the emergency panel. The emergency panel is supplied by utility or generator via transfer switch. The eLITE ELE and UltraLITE will

provide no-break, regulated power to critical care areas, and "always on" lighting circuits will remain illuminated. Generator synchronization delay (up to 10 seconds) is eliminated.